



# SPEC SHEET

## KoolMore 59 in. Six Pan Refrigerated Countertop Condiment Prep Station

Model: SCDC-6P-SG

### FEATURES

- Digital temperature controls and display.
- Countertop design.
- Six 1/3 food Pans included.
- ETL Listed for Safety and Sanitation.
- Stainless Steel Body.
- Bottom Mounted compressor.
- Direct cooling system.
- Automatic defrost.



### CLOSE UP IMAGES



# TECHNICAL SPECS

## Dimensions

Length	59
Width	15.5
Height	17.25
Interior Depth	12.24
Interior Width	45.28
Interior Height	6.5
Minimum Back Air Clearance In	5 in.
Minimum Side Air Clearance In	5 in.
Power Cord Length	112.2
Weightlbs	105.8

## Capacity

Pan Capacity	6 1/3 GN Pans
Adjustable Pan Dividers	Yes
Included	6 1/3 GN Stainless-Steel Pans
Maximum Depth Of Pans	5.9

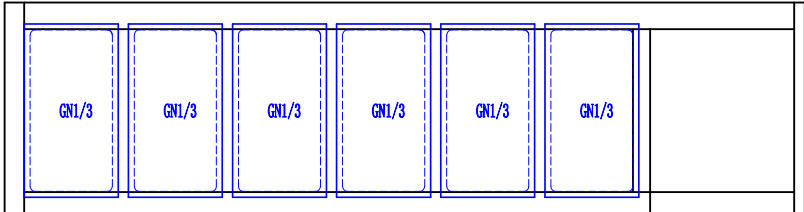
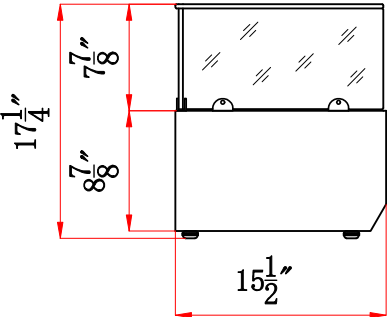
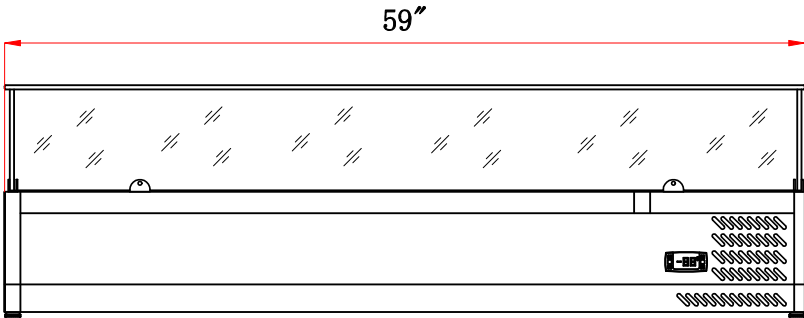
## Features & Materials

Electrical Installation Type	Plug-in
Plug Type	NEMA 5-15P
Defrost Type	Automtic
Refrigerant Type	R-600a
Compressor Brand	Cubigel
Compressor Location	Right Side
Cooling Unit Type	Static
Temperature Range	35 - 46 F
Ambient Temperature Range	90 F
Exterior Material	Stainless-Steel 201
Interior Material	Stainless-Steel 201
Color Finish	Stainless-Steel

## Electric & Certifications

Voltage	115
Wattage	110
Amps	1.6
Hertz	60
Phase	1
Horsepower	0.1
Certifications	ETL Listed for Safety and Sanitation
Ada Compliant	No
Energystar Compliant	Yes

# Plan View



**CERTIFICATIONS**



Intertek Intertek

This block contains two Intertek certification logos. The first is the ETL C-Listed US logo, and the second is the ETL Intertek logo.



706 Eastern Parkway STE 1G, Brooklyn NY 11213  
718-576-6342  
info@koolmore.com