



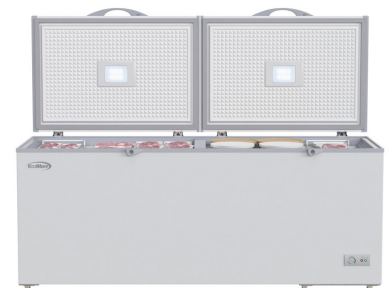
SPEC SHEET

76 In. Commercial Chest Freezer 20 Cu. Ft. in White, ETL Listed

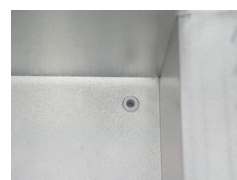
Model: SCF-20C

FEATURES

- **Versatile and Spacious:** With a huge 20 cu. ft. capacity, this freezer is designed for both commercial and residential use, providing ample space for storing large quantities of food.
- **Garage Ready:** Built to operate efficiently in a wide range of ambient temperatures, this freezer is ideal for garage storage, ensuring reliable performance even in less controlled environments.
- **Includes 2 Freezer Baskets:** Comes with two freezer baskets, each capable of holding up to 44 lbs., enhancing convenience and usability.
- **Manual Defrost:** The manual defrost feature ensures optimal performance and energy efficiency, maintaining the freezer's longevity and reliability.
- **Quiet Operation:** With a noise level of just 55 dB, this freezer operates quietly, minimizing disruption in busy commercial settings or quiet residential areas.
- **Temperature Control:** Simple and reliable mechanical controls allow you to easily set and maintain the desired temperature.
- **Easy Mobility:** The freezer features six casters, allowing for easy movement and positioning, offering flexibility and convenience in any setting.
- **Secure Storage:** Features a lock and key system, providing secure storage and ensuring that your valuable frozen items are safely stored.
- **Bright Lighting:** A door-mounted LED light ensures your items are well-lit and visible.
- **ETL Certified:** Built to meet stringent ETL safety standards and backed by a comprehensive 1-year warranty covering parts and labor.



CLOSE UP IMAGES



Technical Specs

Dimensions & Weight

Length	76 in.
Width	29.5 in.
Height	32.48 in.
Weight	156.1 lbs.
Interior Depth	20.6 in.
Interior Width	70.2 in.
Interior Height	24.2 in.
Depth Excluding Handles	28.1 in.
Depth Including Handles	29.8 in.
Depth Less Door	26.4 in.
Height With Lid Open	57.5 in.
Minimum Back Air Clearance	4 in.
Minimum Side Air Clearance	4 in.

Electric & Certifications

Voltage	110
Wattage	330
Hertz	60
Amps	3.6
Phase	1
Plug Type	NEMA 5-15P
Power Cord Include	Yes
Power Cord Length	70.8 in.
Energy Consumption	842 KWH/year
Certificate	ETL Listed for Safety and Sanitation

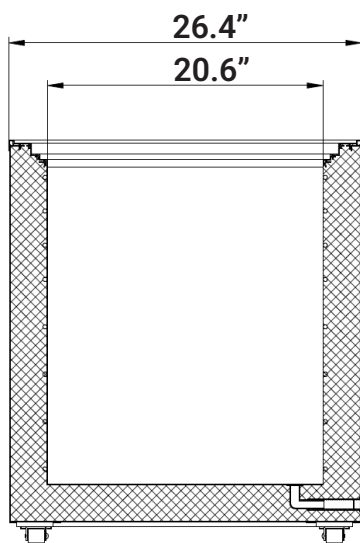
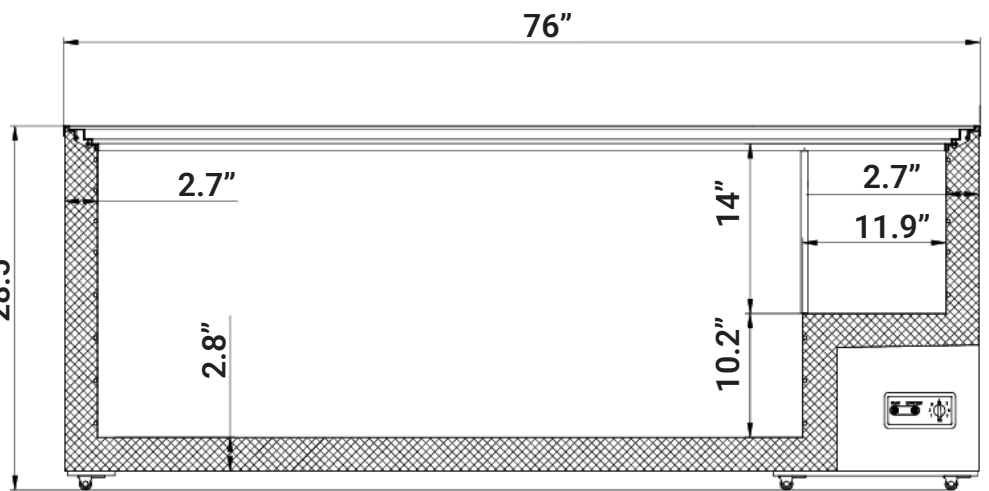
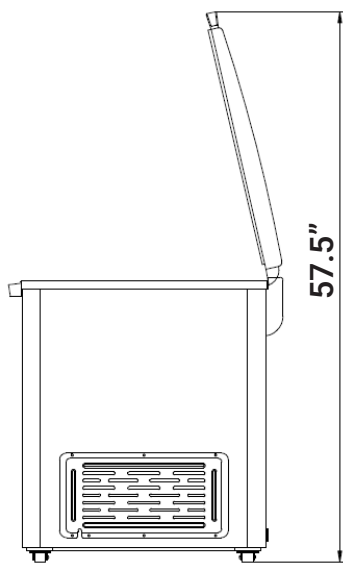
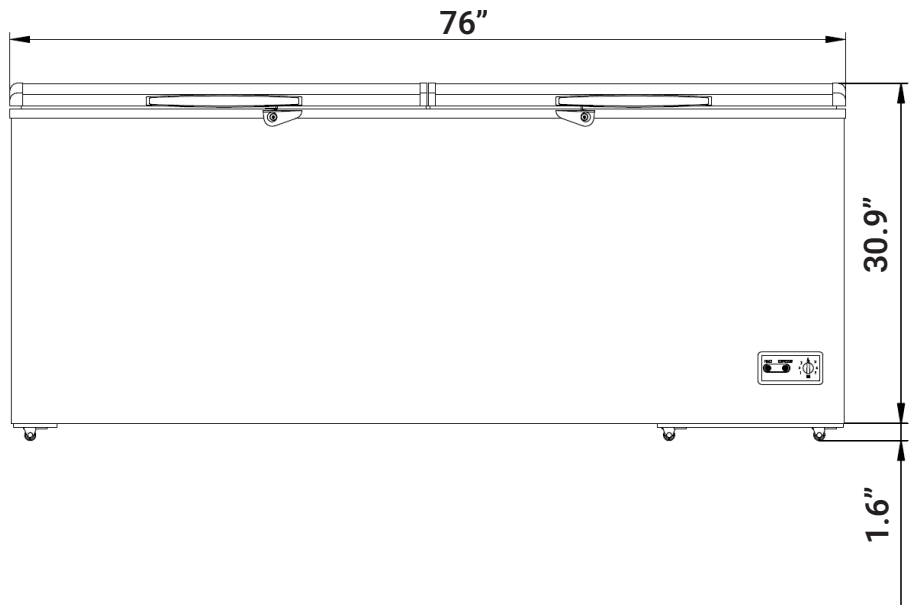
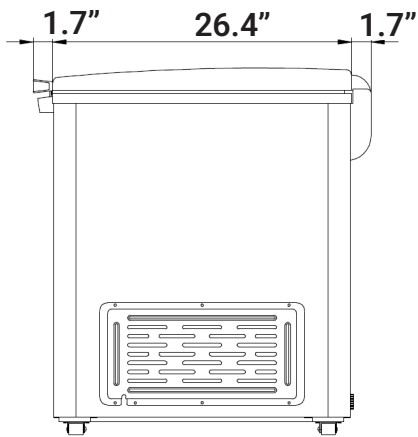
Capacity

Net Cubic Feet	19.7
Individual Bin Capacity	44 lbs
Number Of Freezer Bins	2

Features & Materials

Temperature Range	-15-41 F
Ambient Temperature Range	0-100 F
Cooling Unit Type	Static
Defrost Type	Manual
Refrigerant Type	R-290
Door Style	Vertical Swing
Number of Doors	2
Door Material	Coated Steel
Door Handles Color	White
Handle Type	Standard
Control Location	Exterior
Hinge Location	Back of Unit
Interior Material	Embossed Aluminum
Exterior Material	Coated Steel
Shelf Material Type	PVC-Coated Baskets
Noise	55 db
Temperature Control Type	Mechanical
Door Ajar Alarm	No
Handle Type	Standard
Indoor / Outdoor	Indoor
Safety Lock	Yes
Casters	6
Interior Lights	LED
Interior Lights Brightness	.5 W
Interior Lights Location	Door
Compressor Location	Bottom
Garage Ready	Yes

Plan View



718-576-6342
info@koolmore.com