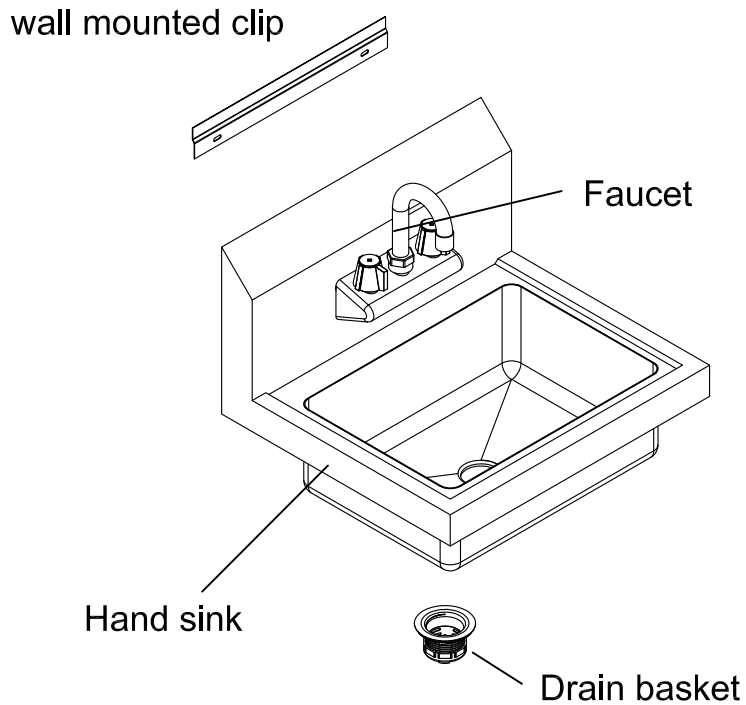
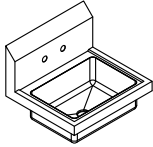
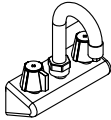

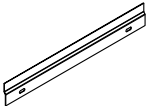




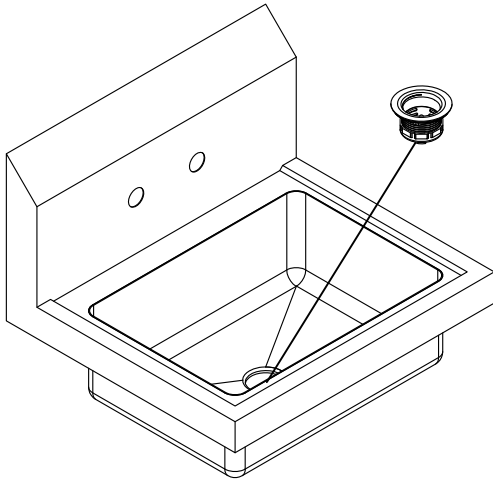
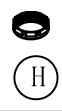
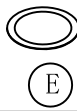
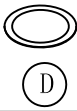
Hand sink Assembly Instruction



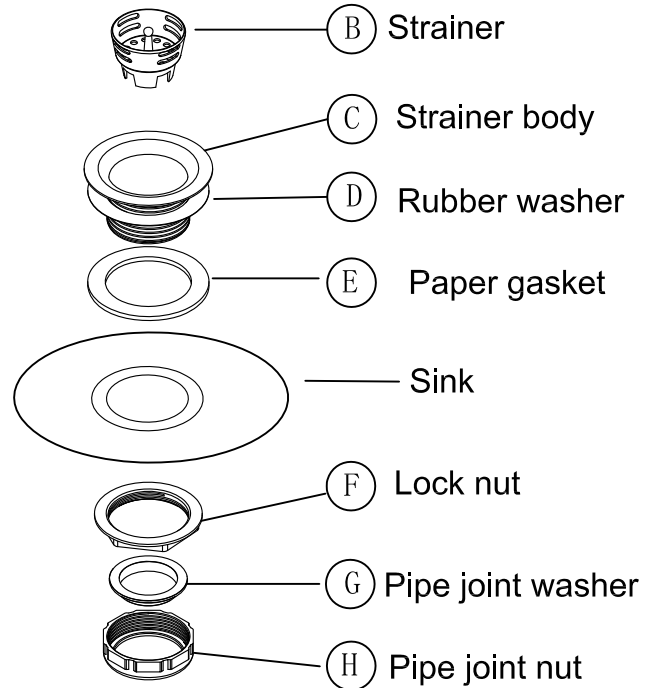
Main parts			
No.	Pattern	Part name	Quantity
1		Hand sink	1
2		Faucet	1
3		Drain basket	1
4		wall mounted clip	1

Accessories			
No.	Pattern	Part name	Quantity
①		Plastic expansion	3
②		self-tapping screws	3

1

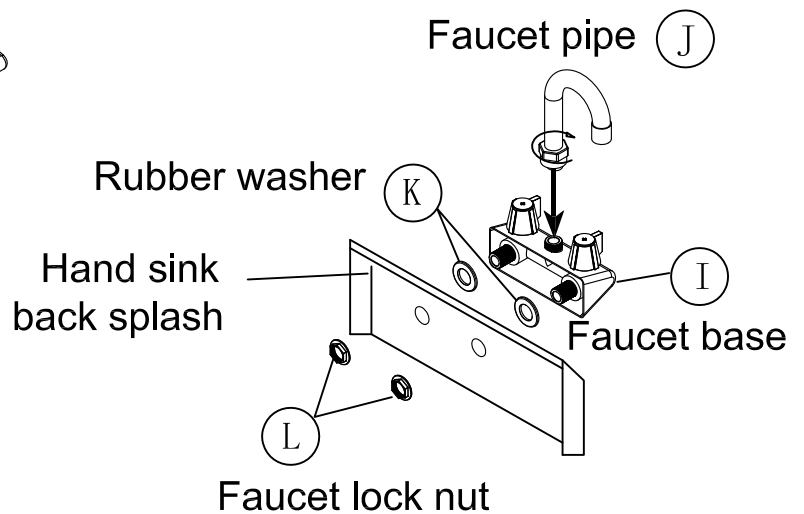
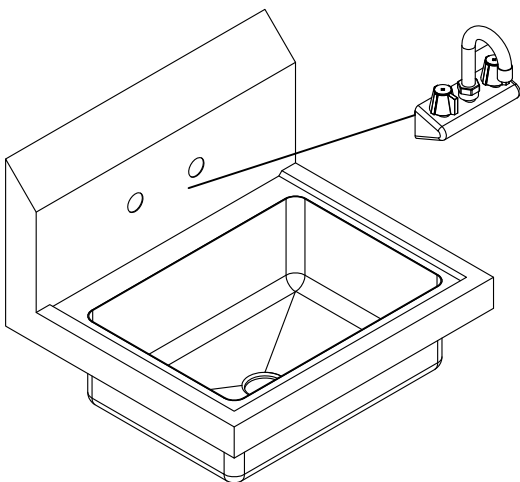
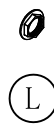
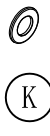
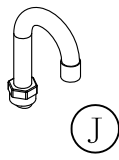
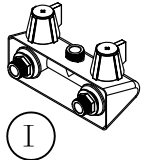


Drain basket (A) assemble

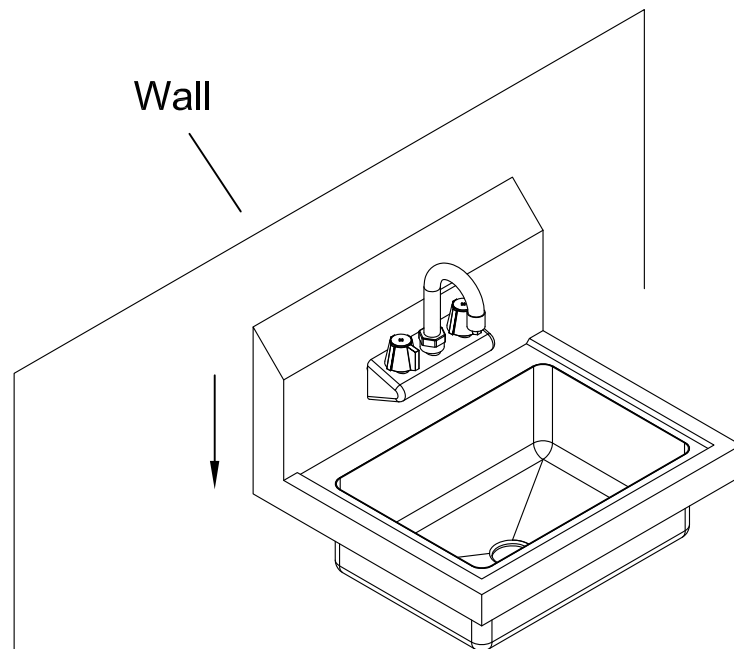
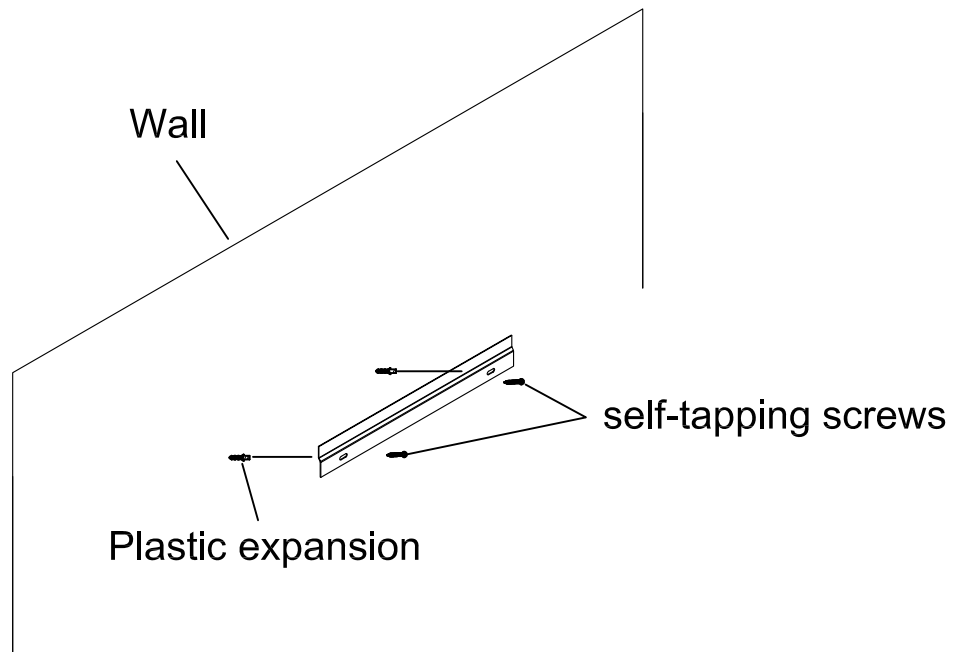


Put the rubber washer & paper gasket under the strainer body, insert into the sink drain hole
Under the sink bowl, connect the lock nut to the strainer body in turn and tighten

2



Install the faucet at the back splashes of the hand sink



Drill holes on the same horizontal plane of the wall, with the hole spacing matching that of the mounting plate. First, drill the holes using a pistol drill with a Ø5.2mm diameter drill bit. After drilling, drive plastic anchors into the holes, then fasten the mounting plate firmly with self-tapping screws. Finally, hang the hand sink backsplash on the wall clip from top to complete the installation.