



SPEC SHEET

KoolMore 12" x 60" 18-Gauge Stainless-Steel Heavy Duty Wall Shelf with Pot Rack

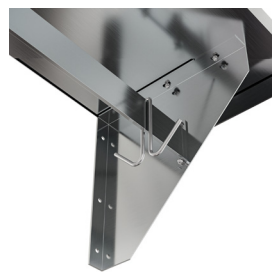
Model: WMPS-1260

FEATURES

- Five Removable Storage Hooks
- Rust and Corrosion Resistant
- 18-gauge heavy-duty stainless steel
- Overall Dimensions: 12 x 60 x 10 in.
- 187 lbs. Capacity
- Includes Mounting Hardware
- NSF Listed Certification
- 90-Day Warranty



CLOSE UP IMAGES



TECHNICAL SPECS

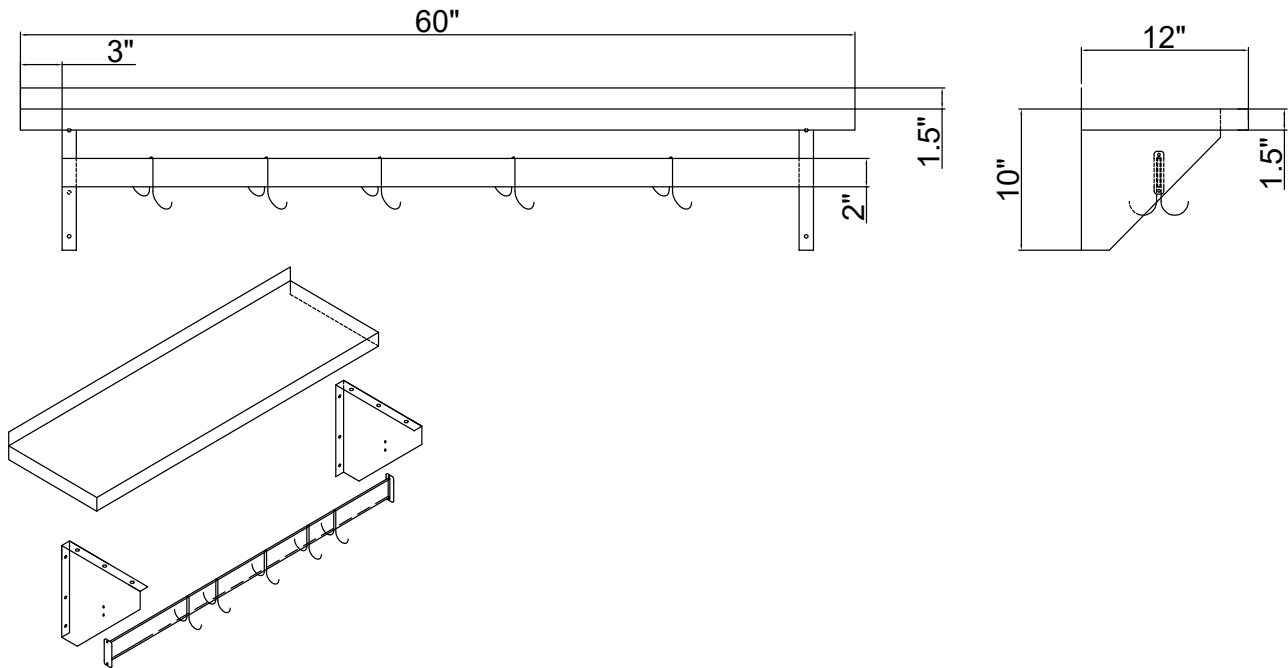
Dimensions

Length	60
Width	12
Height	10
Weight lbs	19.5

Specs & Certification

Number Of Hooks	5
Top Capacity	187 Lbs
Exterior Material	430 Stainless-Steel
Gauge Of Stainless Steel	18
Certifications	NSF Certified for Sanitation

Plan View



CERTIFICATIONS



706 Eastern Parkway STE 1G, Brooklyn NY 11213
718-576-6342
info@koolmore.com