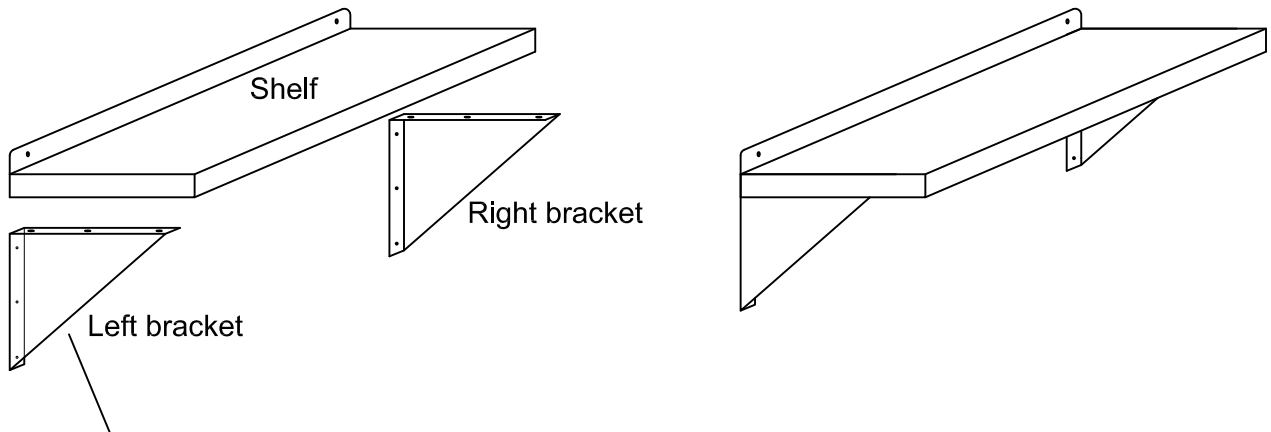
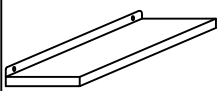
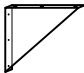
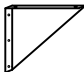
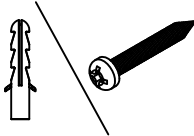

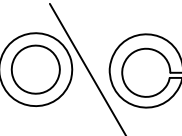


Wall mount shelf assembly instruction

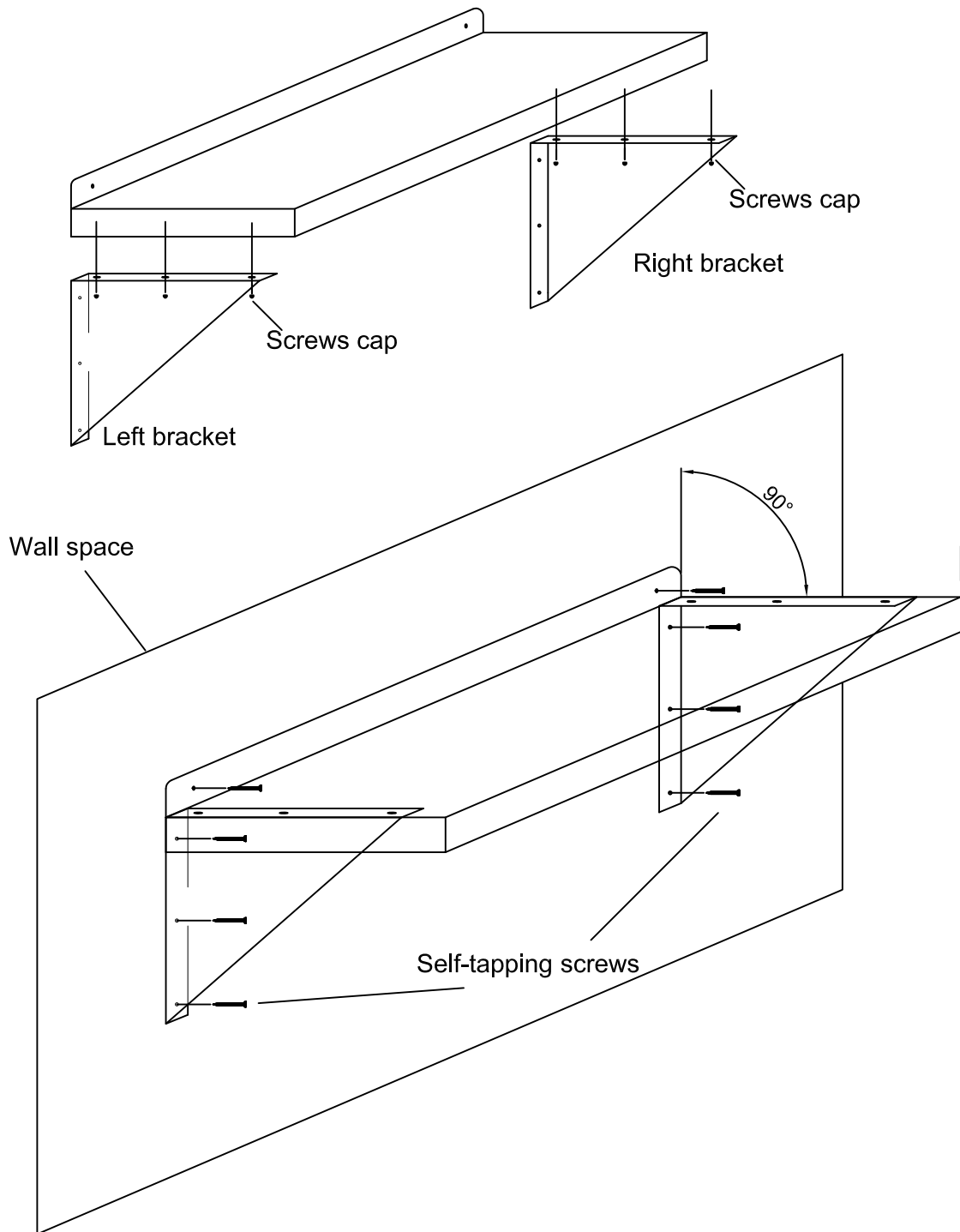


Length ≥ 72 " : With extra 1 middle bracket

Main parts			
Number	Pattern	Part name	Quantity
1		Shelf	1
2		Left bracket	1
3		right bracket	1

Accessories			
Number	Pattern	Part name	Quantity
①		Plastic expansion Self-tapping screws	7
②		Screws cap	7
③		Flat washer Spring washer	7

Length ≥ 72 " : 10 set of accessories



1. Insert the left and right brackets into the welding studs of the shelf, put the flat washer and spring washer over the screws cap, tighten the screw caps.

2. Lay the back of the brackets and back splash flat with the wall, mark the position where the holes ($\varnothing 6\text{mm}$) need to be drilled. Drill the holes on the marks with drill bit, knock the plastic expansion into the holes on the wall. Align the bracket holes with plastic expansion holes, screw in self-tapping screws