



SPEC SHEET

KoolMore 60 In. Commercial Electric Range with 10 Burners and 2 Standard Electric Ovens in Stainless Steel - 208V 3 Phase

Model: KM-CR60-E

FEATURES

- **Hardwired Connection:** Designed for stability in commercial kitchens.
- **Temperature Range:** 122°F to 500°F with a top broiler for precision cooking.
- **Ten Burners:** Includes 2.6kW and 2kW cast iron elements for even heating.
- **Dual Oven Capacity:** two spacious ovens with a combined capacity of 11.1 cubic feet.
- **Built-In Backsplash & Shelf:** 19.38-inch backsplash with storage shelf.
- **Stainless Steel:** Durable front and aluminized sides for longevity.
- **Manual Controls:** Infinite switch for cooktop, thermostat for oven.
- **High-Performance Oven:** 1.4kW top, 3.0kW bottom broiler for perfect finishes.
- **Power Configurability:** Convertible to single phase for flexibility.
- **Certification & Warranty:** CSA certified with a 1-year parts and labor warranty.



CLOSE UP IMAGES



TECHNICAL SPECS

Dimensions

Length	60
Width	33.75
Height	56.88
Interior Depth	25.88
Interior Width	53.5
Interior Height	13.88
Depth With Door Open 90 Degrees	45.25
Depth Excluding Handles	33.38
Depth Including Handles	33.5
Depth Less Door	31.38
Shelfdepth	10.13
Shelfwidth	60
Power Cord Length	118
Weight Lbs	616

Capacity

Net Cubic Feet	11.1
----------------	------

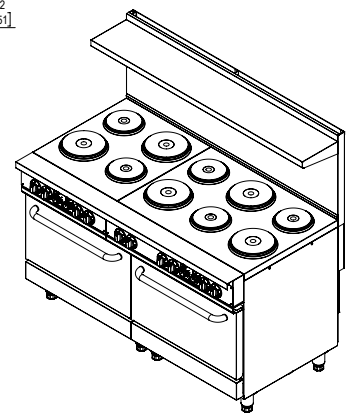
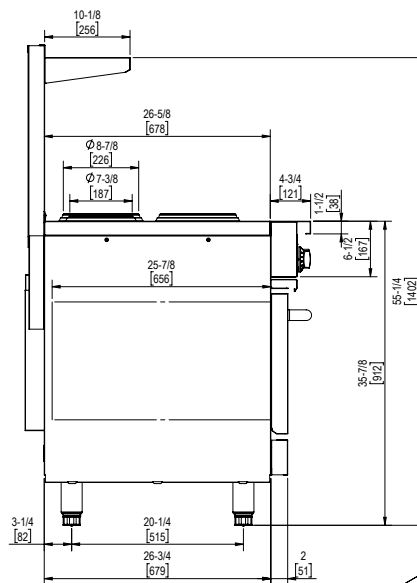
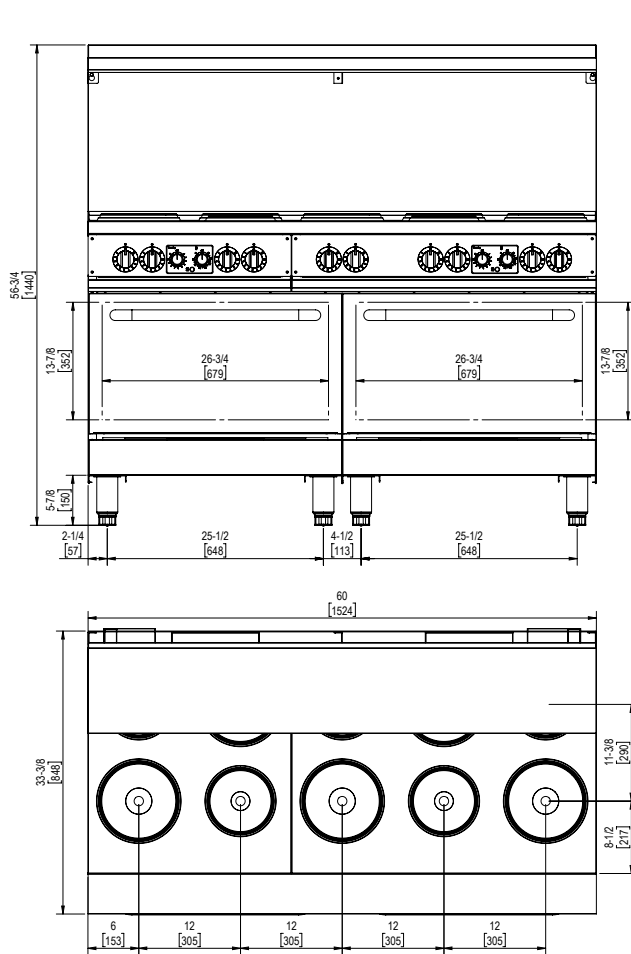
Features & Materials

Heating Element Diameter	5x 8.88, 5x 7.40
Backsplash Size	Height: 19.38
Number Of Elements	10 Top + 4 Oven
Heating Element Material	Cast Iron top, Stainless-Steel 840 oven
Number Of Oven Racks	4
Rack Positions	12
Glide Rollout Racks	No
Temperature Range	Oven: 122-500 F
Preheat Time	400 F in 20 Min.
Cooktop Features	Cast iron hotplate with built-in thermal protector
Color Of Cooktop	Black
Cooktop Surface Type	Flat surface with round hotplate heater
Control Location	Front panel
Control Type	Infinite switch for top, Thermostat for oven
Cleaning Type	Manual
Broiler Location	Top
Included	4x oven racks, 8 legs
Hot Surface Indicator Lights	Oven indicator lights
Keep Warm Setting	No
Delay Bake	No
Drip Pans	Yes
Warming Time After Unplugging Min	40 Min.
Exterior Material	Stainless-Steel and Aluminized Steel
Interior Material	Stainless-Steel and Aluminized Steel
Color Finish	Silver
Interior Lights	No

Electric & Certifications

Left Oven Wattage	Top 1.4 kW, Bottom 3.0 kW
Right Oven Wattage	Top 1.4 kW, Bottom 3.0 kW
Amps	88
Burner Wattage	2 and 2.6 KW
Convertible	Convertible to single phase
Hertz	60
Phase	3
Plug Type	Hardwire
Power Cord Included	Yes
Voltage	208
Wattage	31800
Certifications	CSA Listed for Safety and Sanitation

Plan View



CERTIFICATIONS



706 Eastern Parkway STE 1G, Brooklyn NY 11213
 718-576-6342
 info@koolmore.com