



# INSTALLATION MANUAL

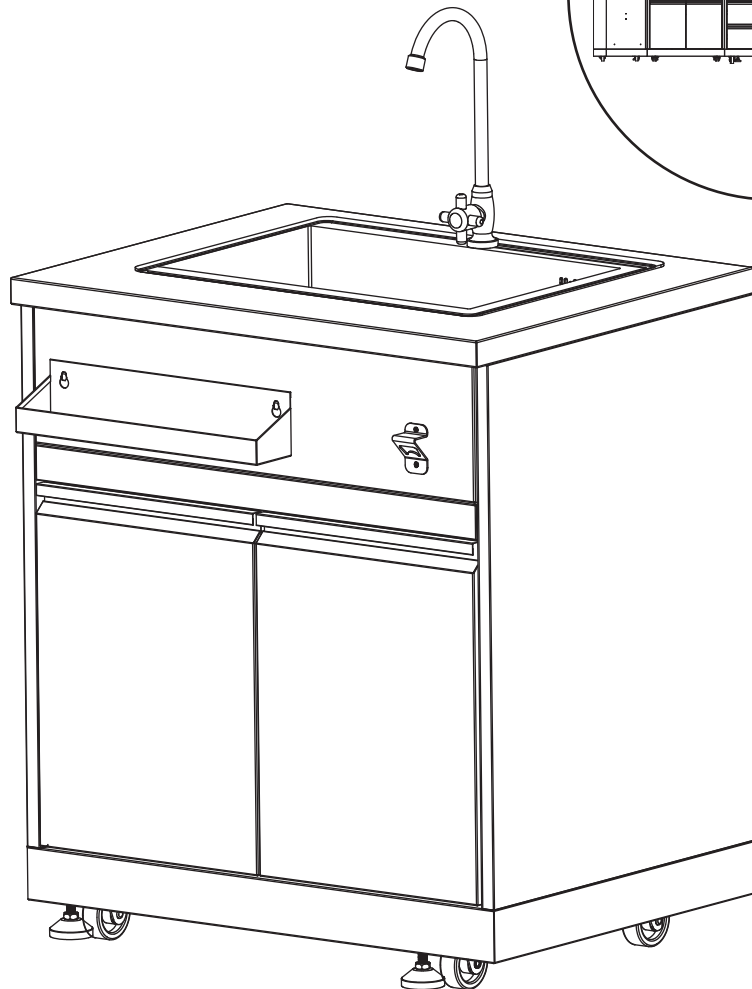
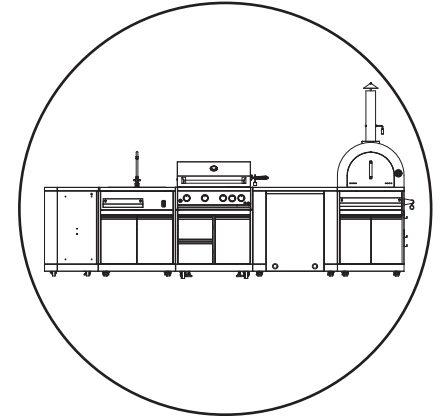
CABINET

## KoolMore Outdoor Kitchen System Sink Cabinet Modular

**Model:**

KM-OKS-SWC

(Compatible With The KoolMore Outdoor Kitchen System)

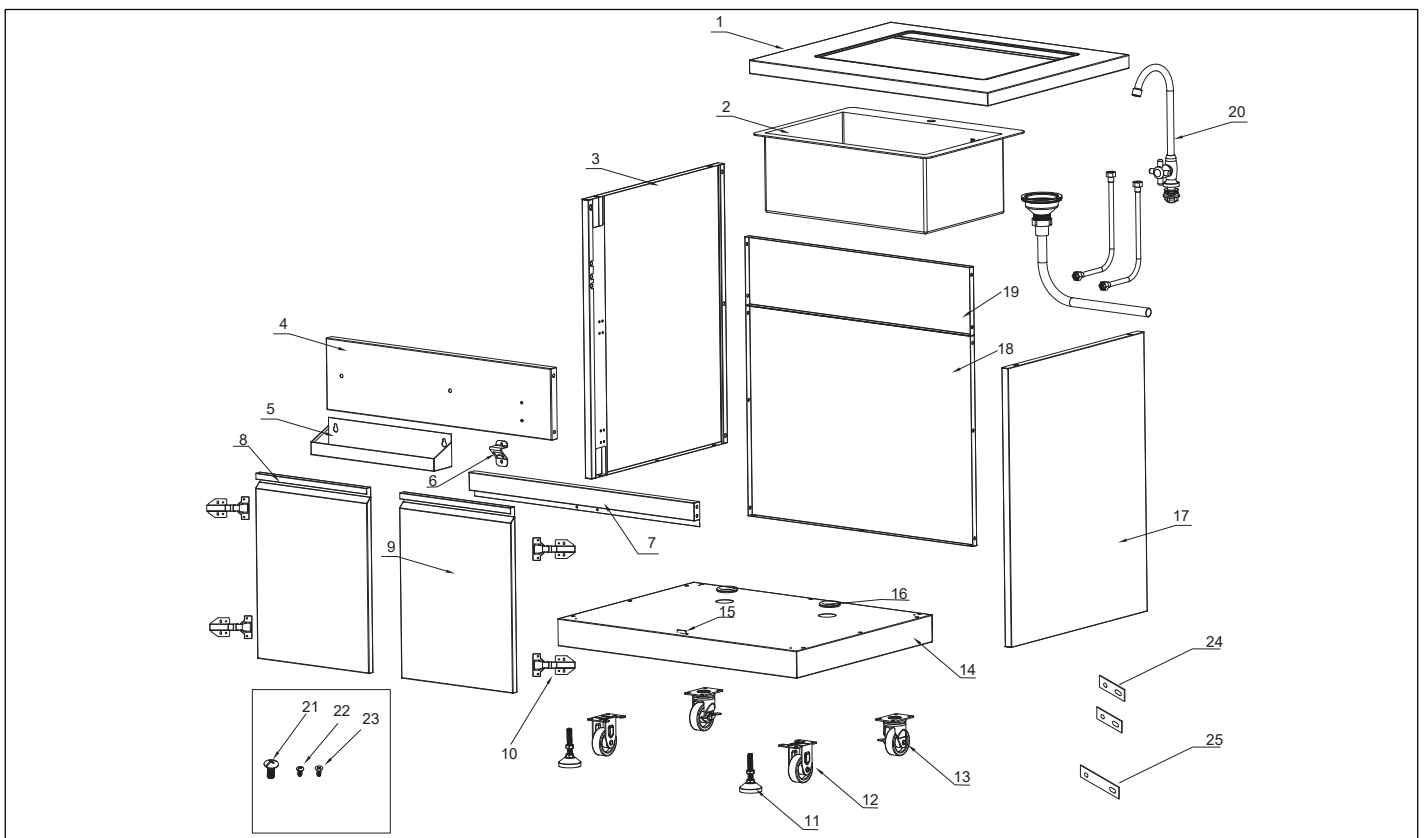
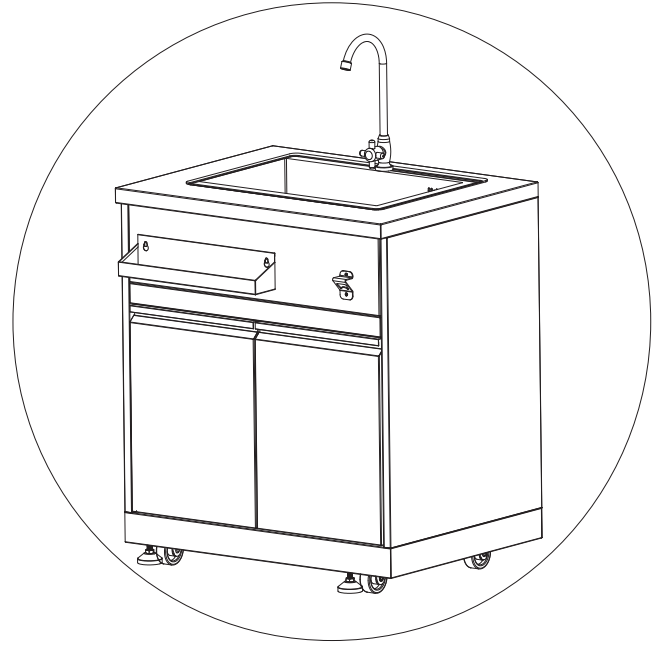


***Before using, please read the operating instructions carefully to ensure proper application and achieve satisfactory results.***

**For any service-related Issues, please contact  
us: Phone Number: 718-576-6342  
Email address: [support@koolmore.com](mailto:support@koolmore.com)**

# Parts Explosive Drawing

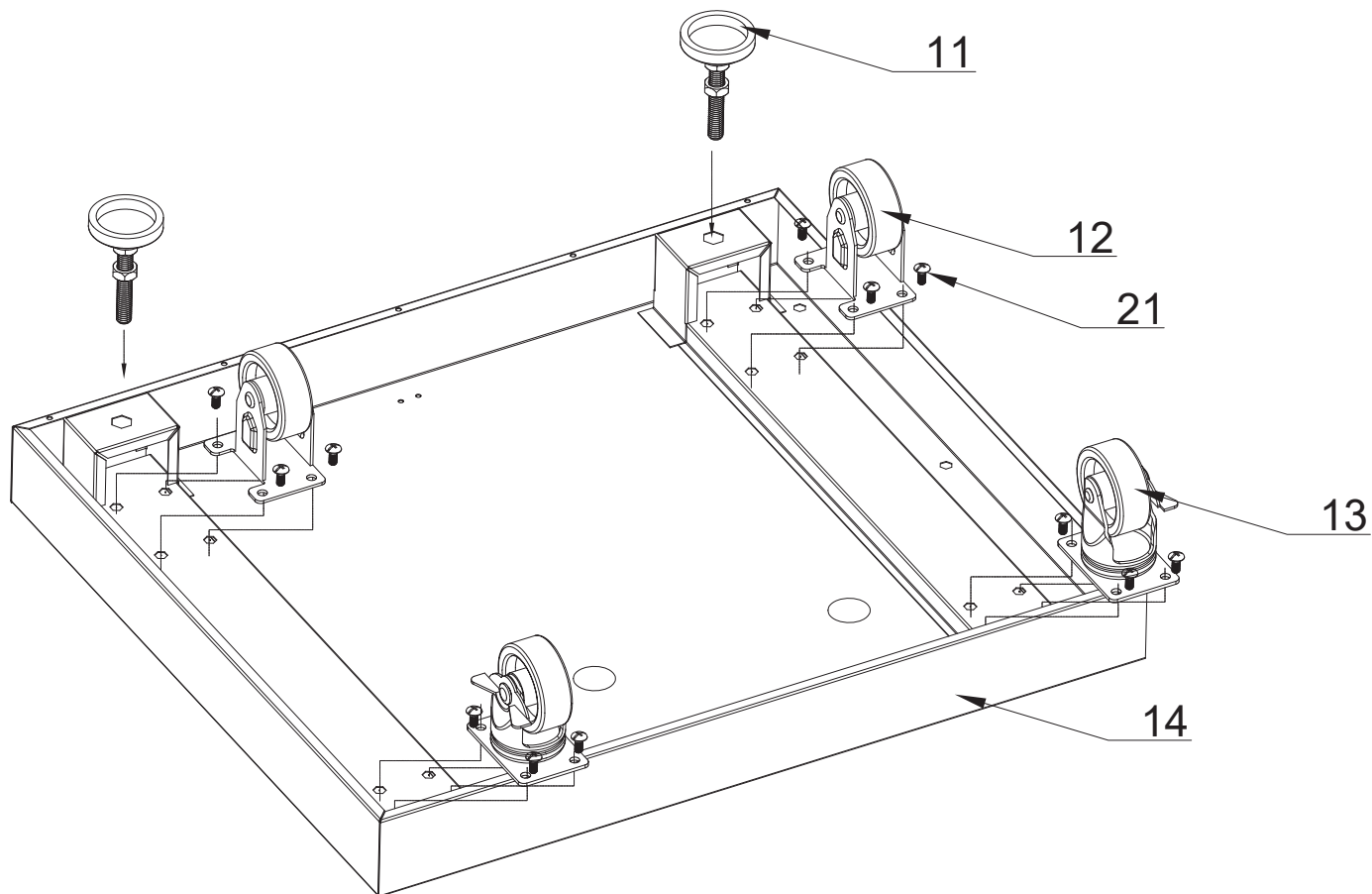
#	Part Name	QTY
1	Countertop Welding Assembly	1
2	Water Sink	1
2.1	Drainpipe with Anti-Overflow	1
3	Left Side Panel Welding Assembly	1
4	Decoration Panel Welding Assembly	1
5	Condiment Holder Welding Assembly	1
6	Bottle Opener	1
7	Beam Welding Assembly	1
8	Left Door Welding Assembly	1
9	Right Door Welding Assembly	1
10	Door Hinge	4
11	Supporting Leg	2
12	Fixed Caster	2
13	Universal Caster with Brake	2
14	Bottom Panel Welding Assembly	1
15	Door Barrier Strip	1
16	Gasket	2
17	Right Side Panel Welding Assembly	1
18	Back Panel Welding Assembly A	1
19	Back Panel Welding Assembly B	1
20	Faucet	1
20.1	Faucet Inlet Pipe	2
21	¼" Philips Thumb Head Screw with Anti-Slip Design	52
22	Philips Thumb Head Screw	4
23	Flat Head Screw	26
24	Cabinet Back Connecting Plate	2
25	Cabinet Front Connecting Plate	1



# Cabinet Installation

## STEP 1

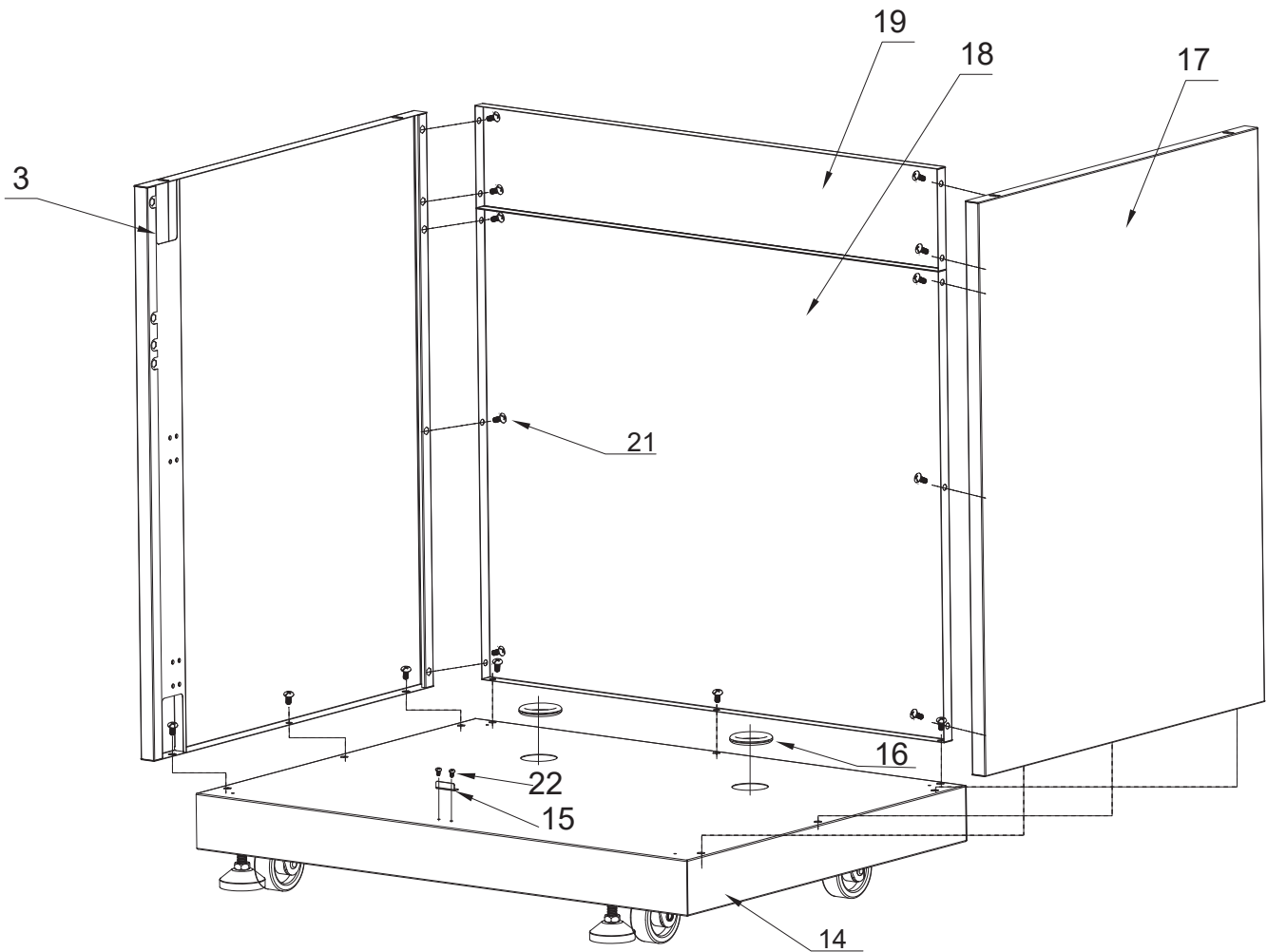
1. Attach two Supporting Legs (Part # 11) to the Bottom Welding Part, ensuring both legs are securely fastened.
2. Connect two Fixed Casters (Part # 12) and two Universal Casters with Brake (Part # 13) to the Bottom Welding Part (Part # 14) using sixteen ¼" Philips Thumb Head Screws with Anti-Slip Design (Part # 21).



# Cabinet Installation

## STEP 2

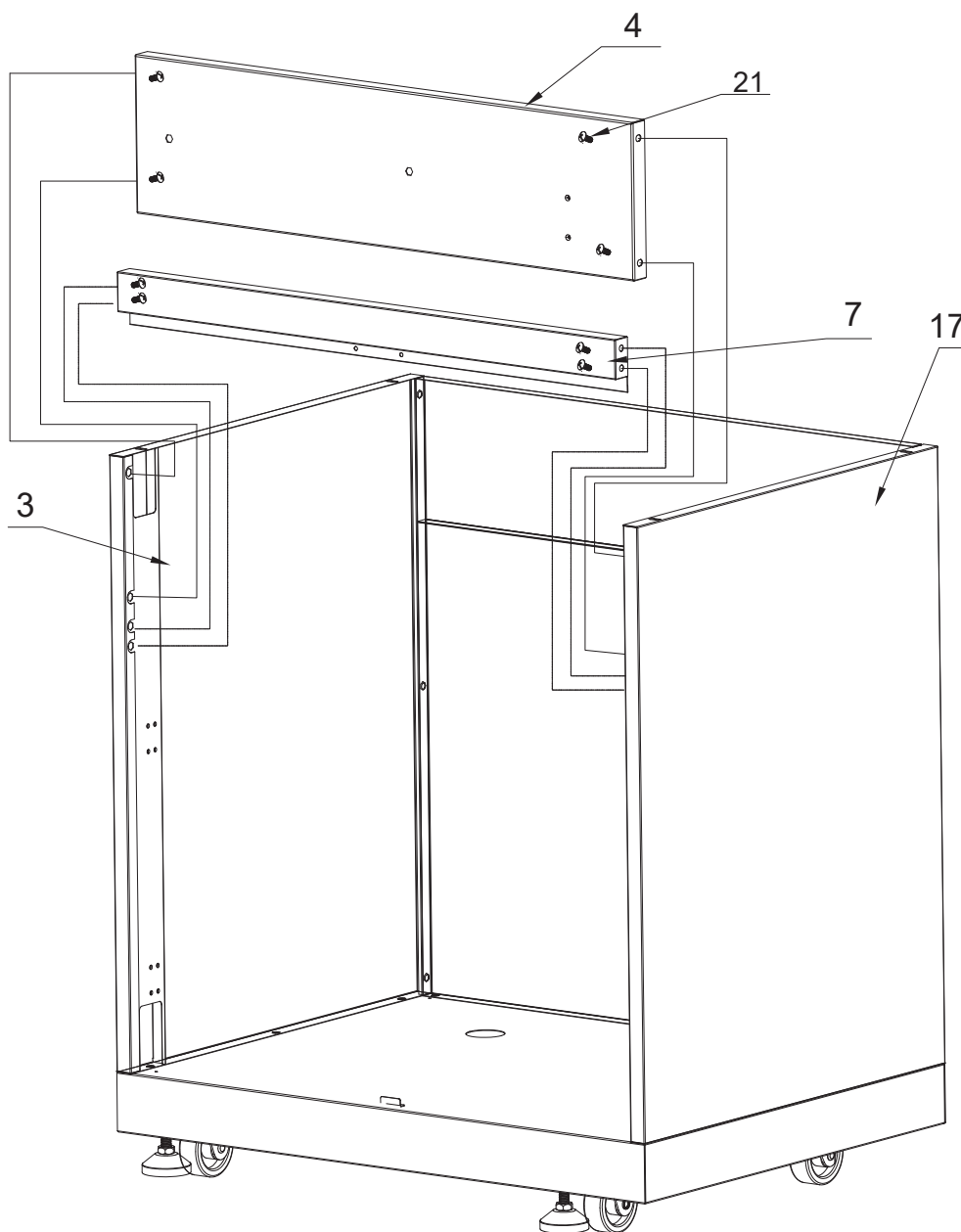
1. Turn over the Bottom Panel Welding Assembly (Part # 14). Install two Gaskets (Part # 16) onto Part # 14, then utilize two Philips Thumb Head Screws (Part # 22) to secure the Door Barrier Strip (Part # 15) to Part # 14.
2. Fasten the Left Side Panel Welding Assembly (Part # 3) to Part # 14 using three ¼" Philips Thumb Head Screws with Anti-Slip Design (Part # 21).
3. Employ three of Part # 21 to secure the Right Side Panel Welding Assembly (Part # 17) to Part #14.
4. Attach the Back Panel Welding Assembly A (Part # 18) and Back Panel Welding Assembly B (Part # 19) to Part #13, #3, and #17 using thirteen of Part # 21.
5. Avoid over-tightening the screws until all parts are properly aligned.



# Cabinet Installation

## STEP 3

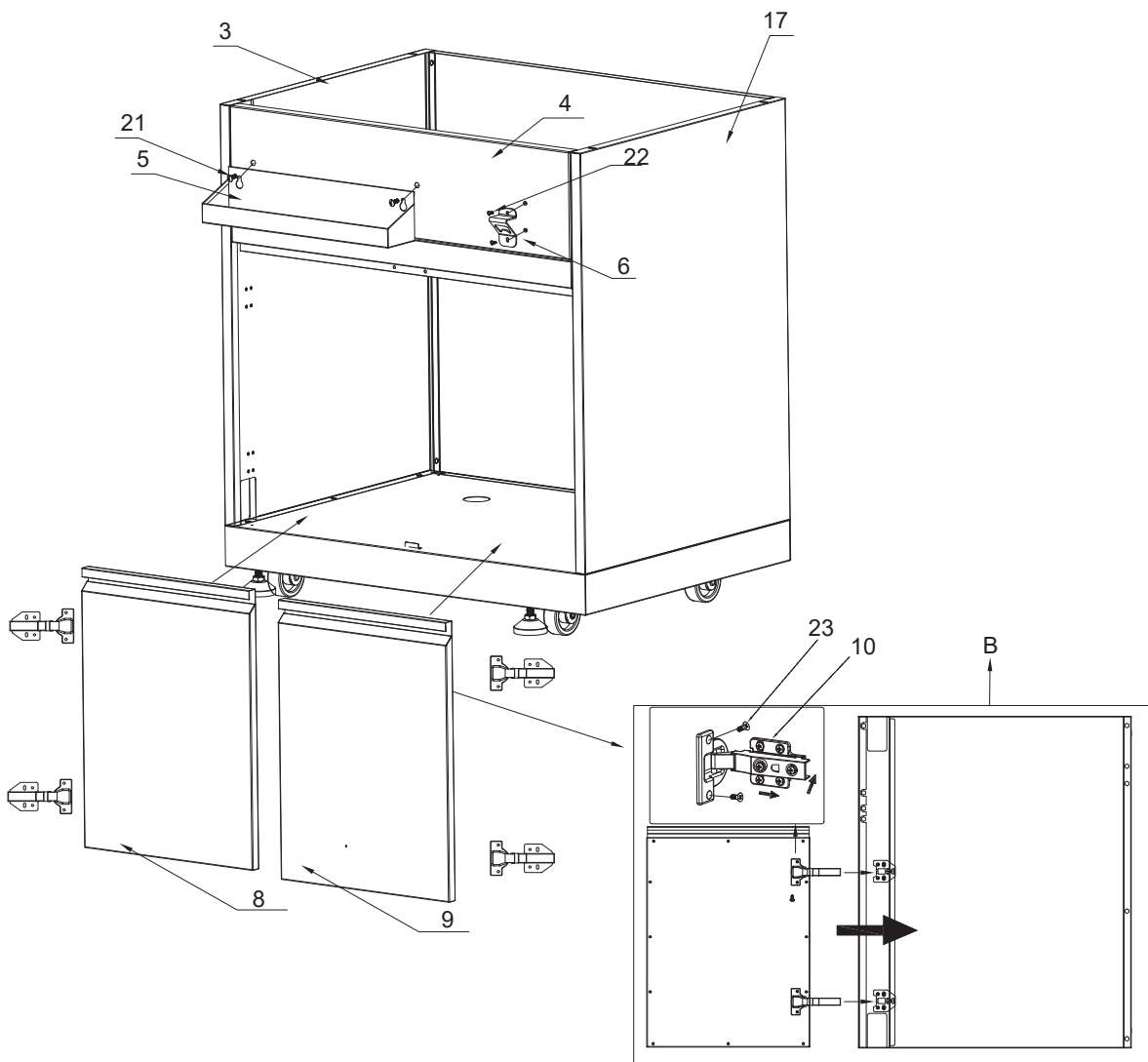
1. Employ four of Part # 21 to fasten the Beam Welding Assembly (Part # 7) to Part #3 and #17.
2. Use four of Part # 21 to secure the Decoration Panel Welding Assembly (Part # 4) to Part #3 and #17.
3. Be careful not to over-tighten the screws until all components are correctly aligned.



# Cabinet Installation

## STEP 4

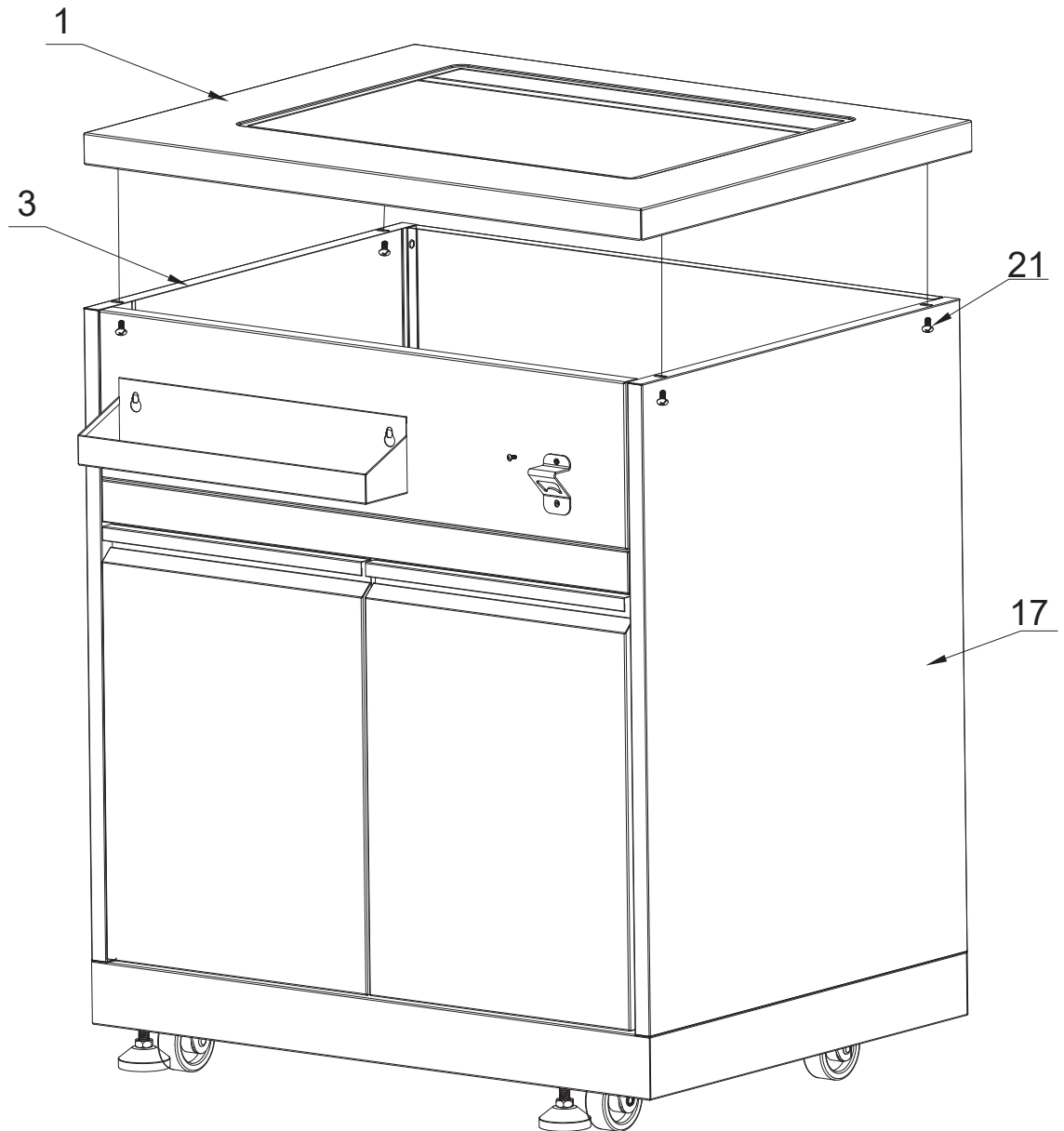
1. Utilize two of Part # 21 to fasten the Condiment Holder Welding Assembly (Part # 5) to Part # 4.
2. Employ two Philips Thumb Head Screws (Part # 22) to attach the Bottle Opener (Part # 6) to Part # 4.
3. Use twenty-four Flat Head Screws (Part # 23, as shown in Picture "B") to affix four Door Hinges to Part # 3, Left Door Welding Assembly (Part # 8), Right Door Welding Assembly (Part # 9), and Right-Side Panel Welding Assembly (Part # 17).
4. Secure Part # 8 to Part # 3 and Part # 9 to Part # 17. Remember not to over-tighten any screws until all parts are properly aligned.



# Cabinet Installation

## STEP 5

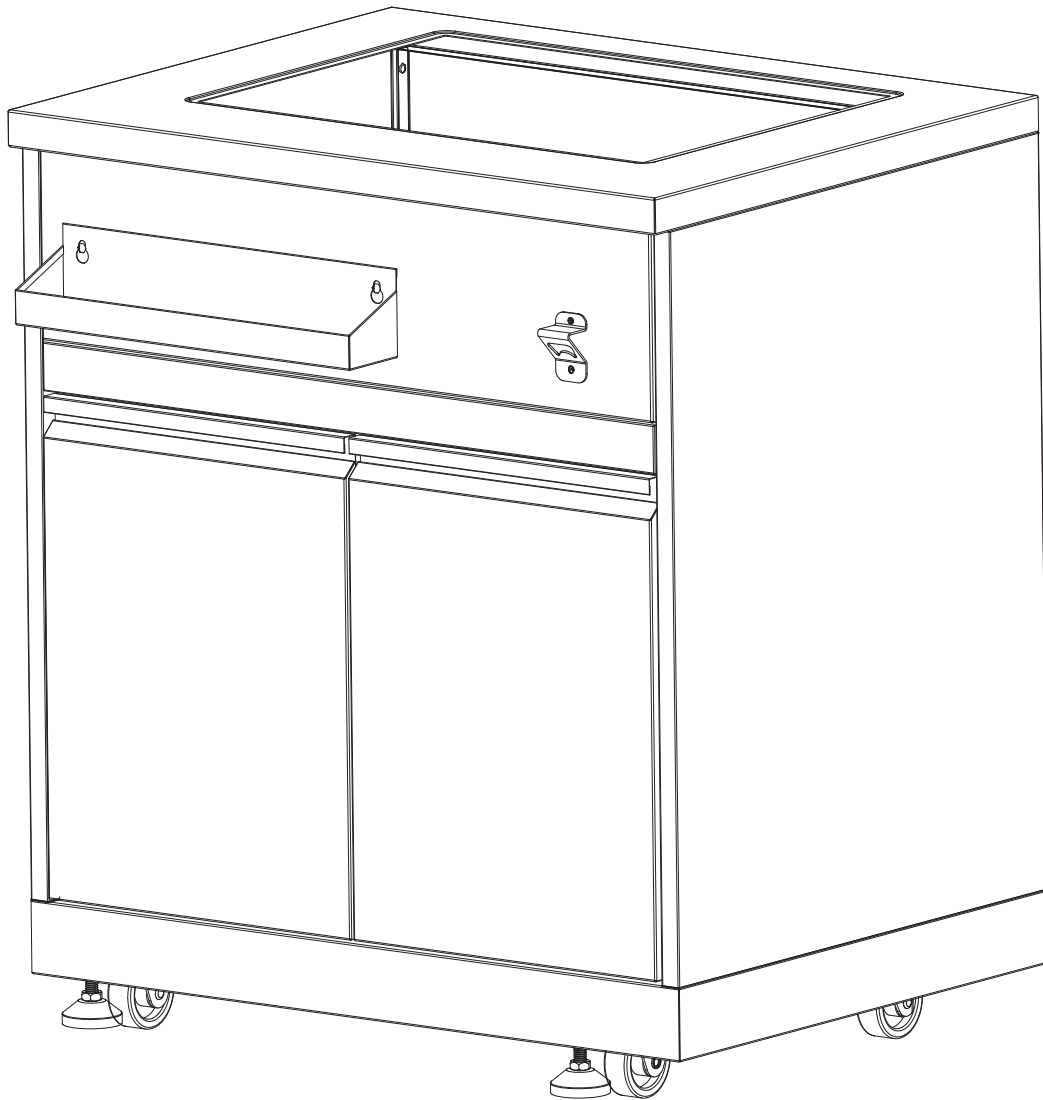
1. Employ four pieces of Part # 21 to secure the Countertop Welding Assembly, ensuring it smoothly connects with Part #3 and #17.



# Cabinet Installation

## STEP 6

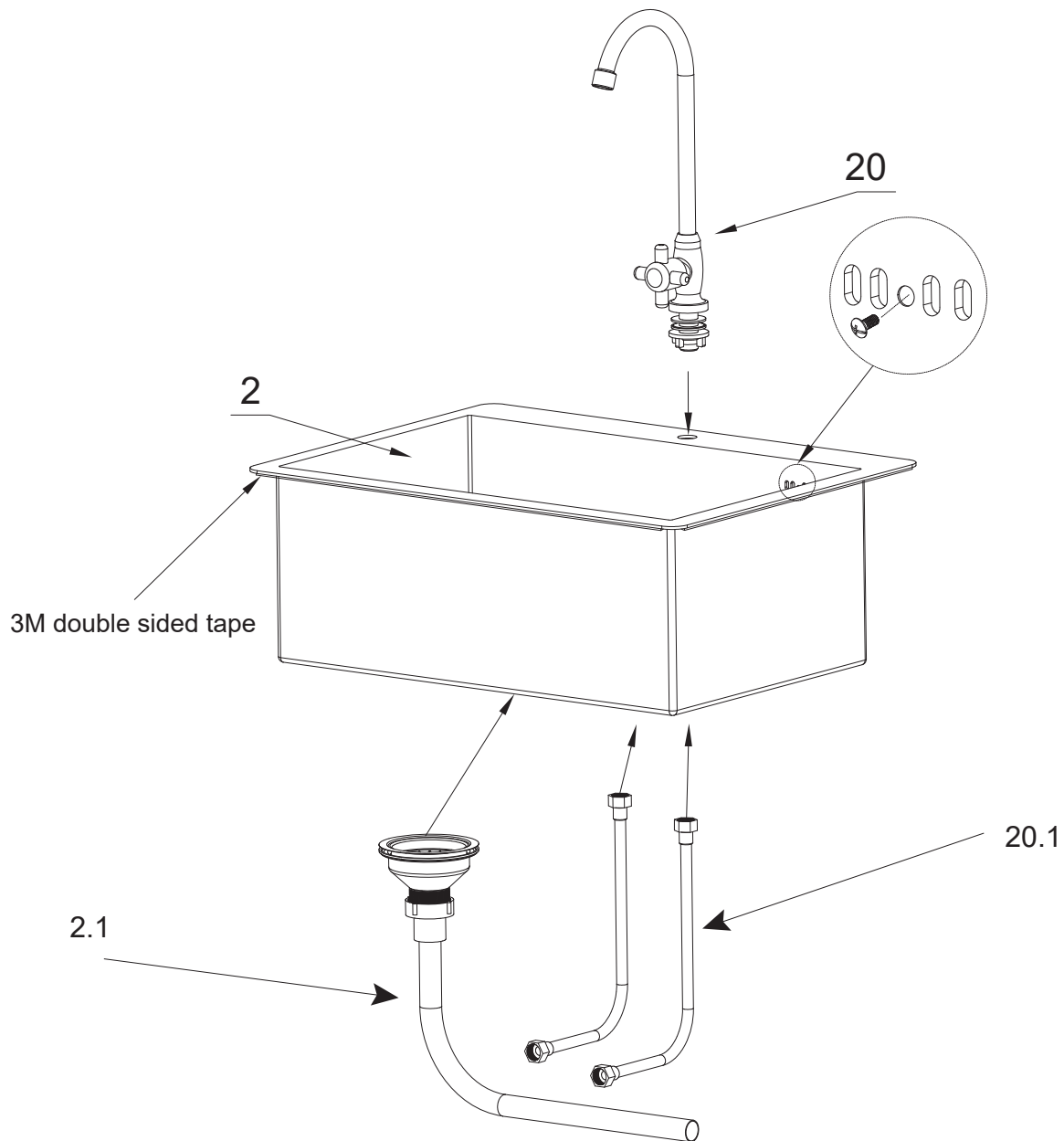
1. At this stage, the assembled product should resemble the image provided below, please note that the faucet and water pipe have not been installed yet.



# Cabinet Installation

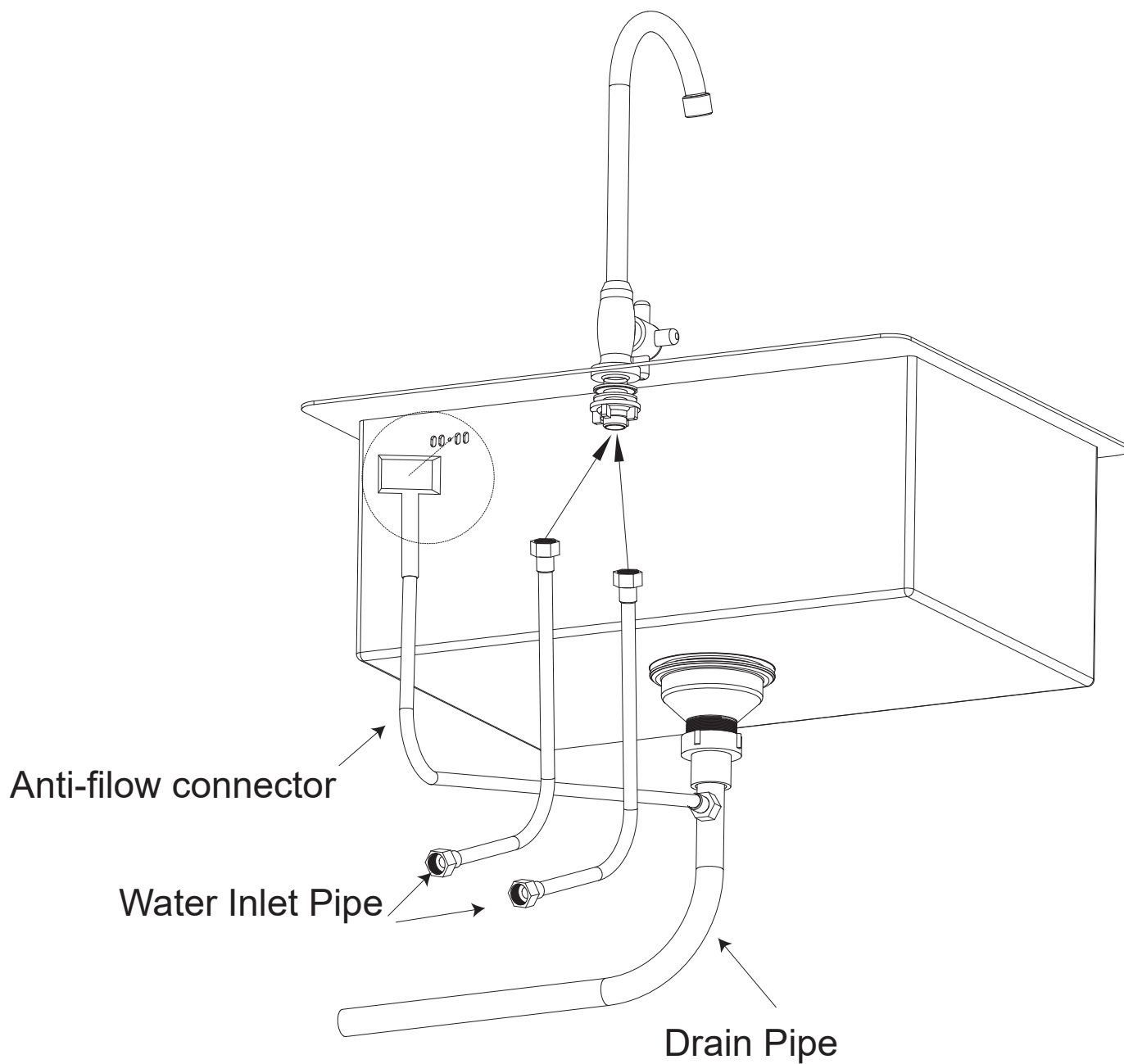
## STEP 7

1. Begin by installing the Faucet (Part # 20) onto the Water Sink (Part # 2), subsequently, insert two Water Inlet Pipes (included with Part # 18) into the bottom of Part # 20.
2. Insert the Drain Pipe with Anti-Overflow (Part # 2.1) into the bottom of Part # 2. Utilize the specialized 3/16" screw provided with Part # 2.1 to secure the Anti-Overflow Connector (pre-installed by the manufacturer) and connect it to the side of the drain pipe.
3. Finally, remove the 3M double-sided tape from the edge of the Water Sink.



# Cabinet Installation

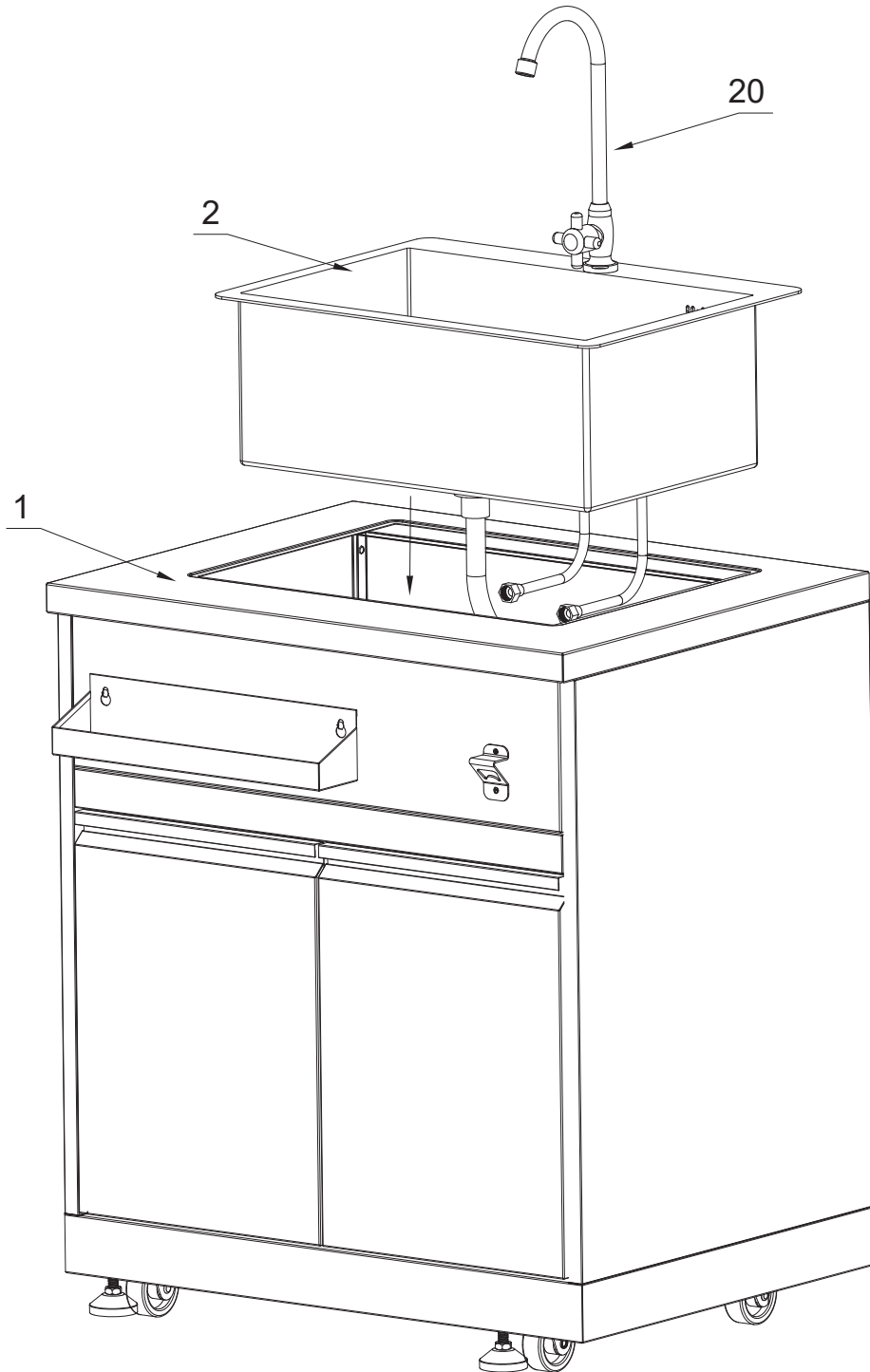
For a more detailed illustration of the faucet installation process, please refer to the image provided below.



# Cabinet Installation

## STEP 8

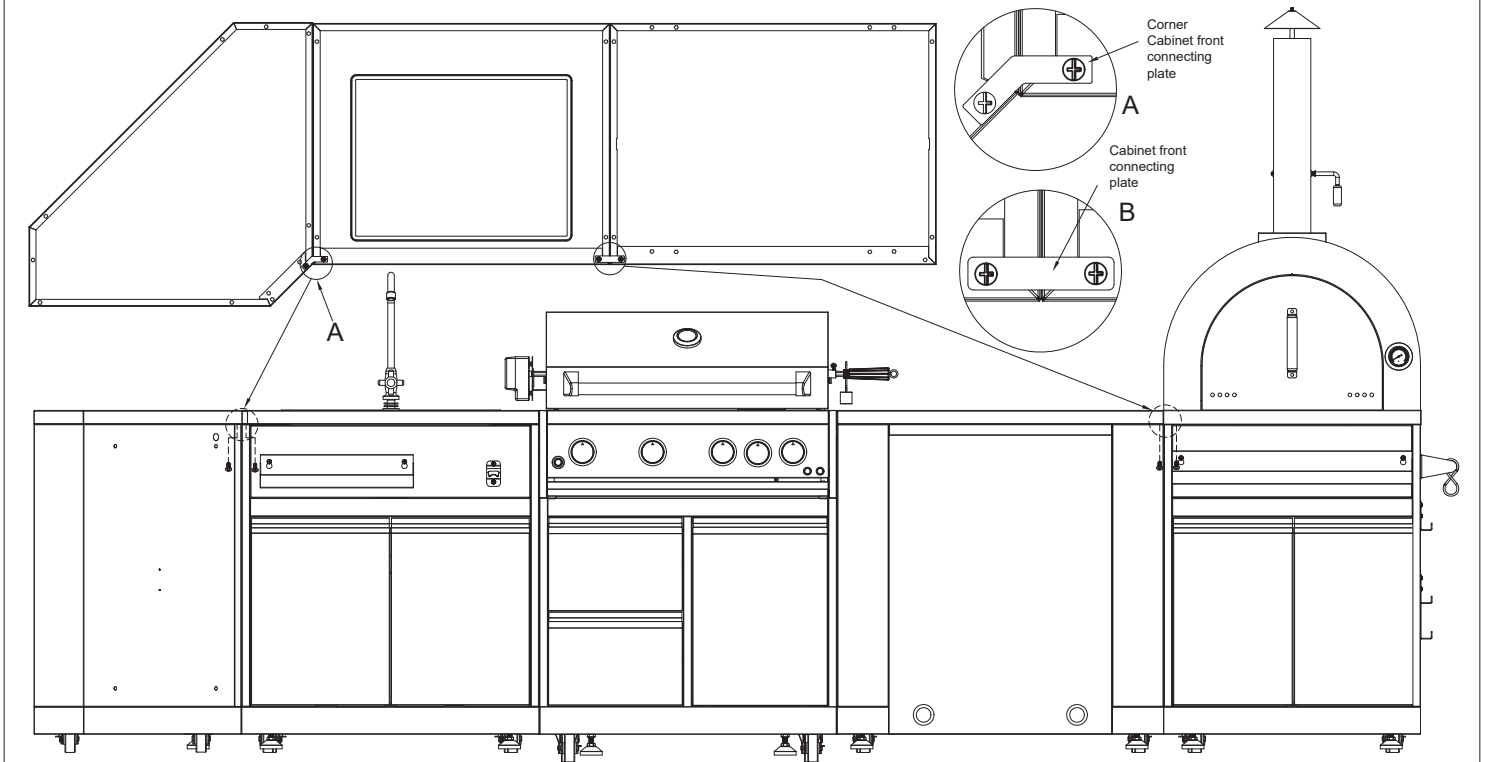
1. Position Part #2 atop Part #1, ensuring a secure and snug fit.



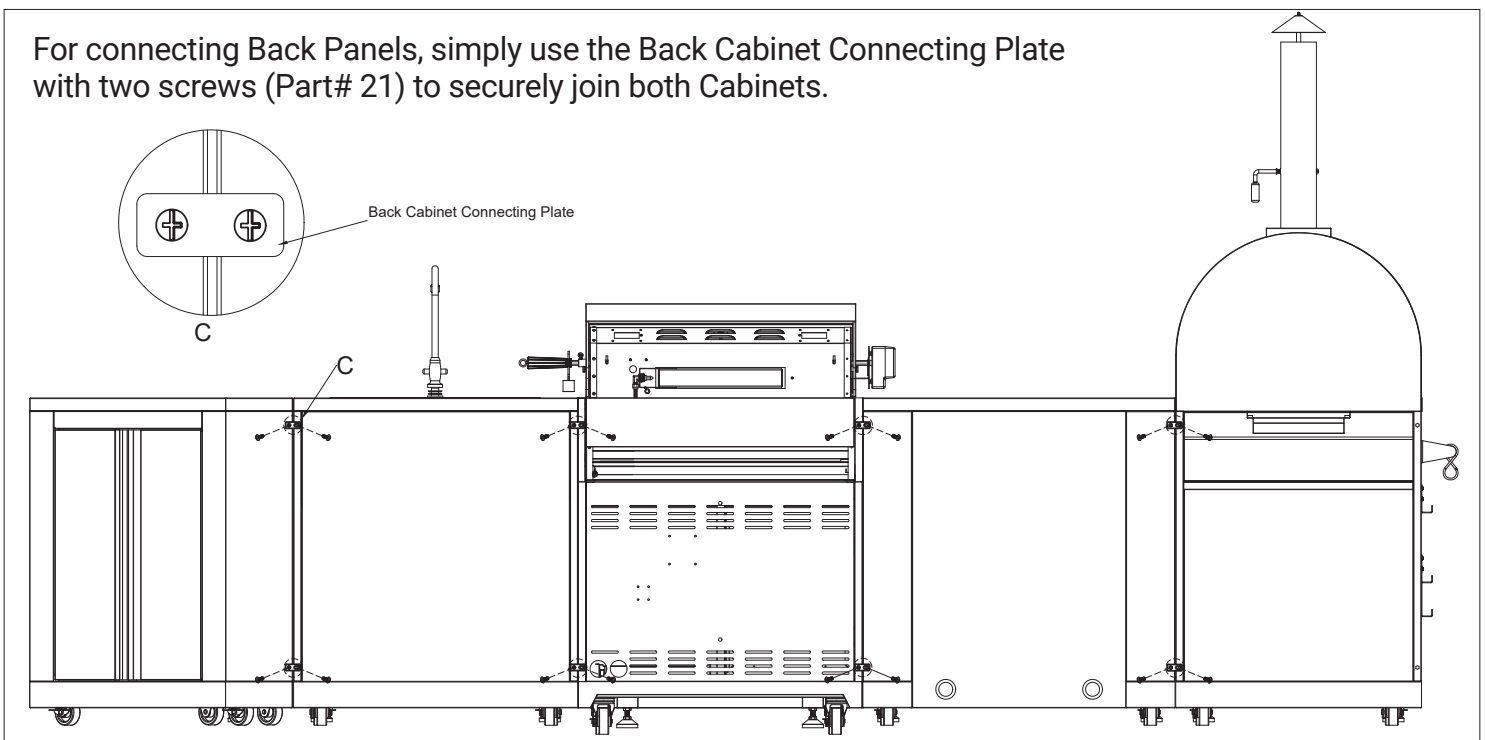
# KoolMore Outdoor Kitchen System

The KoolMore Outdoor Kitchen System is tailored to blend smoothly with any other model in our series. If you have a Corner Cabinet and want to connect it with another cabinet, simply use the Corner Cabinet Connecting Plate and two ¼" screws (Part# 21) for a seamless connection.

For those owning a Sink Cabinet, Appliance Cabinet, or Pizza Oven Cabinet, The Cabinet Connection Plate with two screws will facilitate an easy and secure coupling between the cabinets.



For connecting Back Panels, simply use the Back Cabinet Connecting Plate with two screws (Part# 21) to securely join both Cabinets.





# WARRANTY

## LIMITED WARRANTY

---

Koolmore Supply, Inc. extends a limited warranty to the original purchaser, guaranteeing that this Koolmore product is free from manufacturing defects in material or workmanship for one year from the date of purchase.

Should you discover any such defect within the warranty period, Koolmore Supply, Inc., reserves the right to repair or replace the product without charge, or to cover the cost of replacement parts and repair labor needed to correct defects present at the time of purchase or resulting from regular usage, when the appliance has been installed, operated, and maintained as per the instructions provided.

At its sole discretion, Koolmore Supply Inc. may decide to replace the product. In such an event, your replacement appliance will carry the warranty for the remaining term of the original unit's warranty period.

This warranty is valid exclusively to the original purchaser of the product and only applicable within the United States. The warranty commences from the date of original consumer purchase. Proof of the original purchase date will be required to obtain service under this warranty.

Under this limited warranty, your sole and exclusive remedy will be product repair, as outlined above. All services must be provided by a Koolmore-designated service company.

To claim warranty or request repair service:

Email [support@koolmore.com](mailto:support@koolmore.com). Please include your name, address, phone number, warranty repair request, and a copy of your proof of purchase receipt. Alternatively, visit [koolmore.com](http://koolmore.com) and use the contact us page. A Koolmore customer service representative will promptly arrange service for your appliance.

We thank you for choosing Koolmore.

## WARRANTY EXCLUSIONS

---

This limited warranty will not cover:

1. Failure of the product to perform during power failures or interruptions, or due to inadequate electrical service.
2. Damage incurred during transportation or handling.
3. Damage caused by accidents, vermin, lightning, winds, fire, floods, or acts of God.
4. Damage resulting from accidents, alterations, misuse, abuse, improper installation, repair, or maintenance. This includes using any external device that alters or converts the voltage or frequency of electricity.
5. Unauthorized product modifications, repairs by unauthorized centers, or use of non-approved replacement parts.
6. Abnormal cleaning and maintenance not aligned with the user's manual.
7. Use of incompatible accessories or components.
8. Any costs associated with repairs or replacements under these excluded circumstances shall be the responsibility of the consumer.

