



SPEC SHEET

7 Cu. Ft. Garage Ready Convertible Upright Freezer/Refrigerator in Stainless Steel

Model: KM-RUF-7S-SS

FEATURES

- **Convertible Design:** Easily switch between refrigerator (34-50°F) and freezer (-11-10°F) modes, with a conversion time of 180 minutes.
- **Adjustable Shelves:** Customize your storage with adjustable shelves, each with a capacity of 66 lbs.
- **Garage Ready:** Designed to function efficiently in ambient temperatures ranging from 0-110°F, making it suitable for garage use.
- **Reversible Door:** The door can be installed to open from either side, offering flexibility in placement and accessibility.
- **Energy Efficient:** With an annual energy consumption of 333 KWH, this appliance is both environmentally friendly and cost-effective.
- **Quiet Operation:** Operating at a noise level of 40 dB, it maintains a quiet environment, ideal for residential settings.
- **Temperature Control:** Includes a mechanical control type for straightforward adjustments to the desired temperature settings.
- **ADA Compliant:** The design meets ADA standards, ensuring accessibility for all users.
- **UL Certified and 1 Year Manufacturer's Warranty:** Built to meet stringent UL safety standards, guaranteeing reliable performance.



CLOSE UP IMAGES



Technical Specs

Dimensions & Weight

Length	21.6 in.
Width	22.04 in.
Height	50 in.
Weight	89 lbs
Interior Width	18 in.
Interior Depth	17.2 in.
Interior Height	42.4 in.
Shelf Depth	20 in.
Shelf Width	39 in.
Minimum Side Air Clearance	3.9 in.
Minimum Back Air Clearance	3.9 in.
Height To Top Of Door Hinge	50 in.
Depth With Door Open 90 Degrees	42.3 in.
Depth Less Door	19.7 in.
Depth Excluding Handles	22.4 in.
Depth Including Handles	22.4 in.

Electric & Certifications

Certifications	UL Listed for Safety
Electrical Installation Type	Plug-in
Energy Consumption	333 KWH/year
Power Cord Length	67 in.
Plug Type	NEMA 5-15P
Wattage	150
Voltage	115
Phase	1
Hertz	60
Amps	1.5

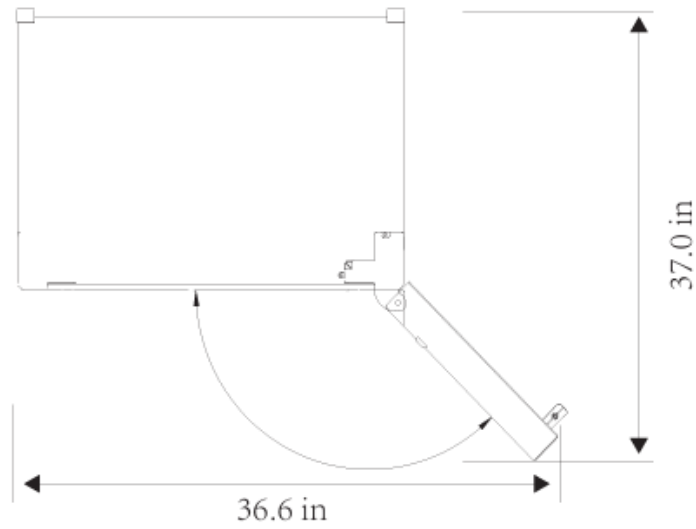
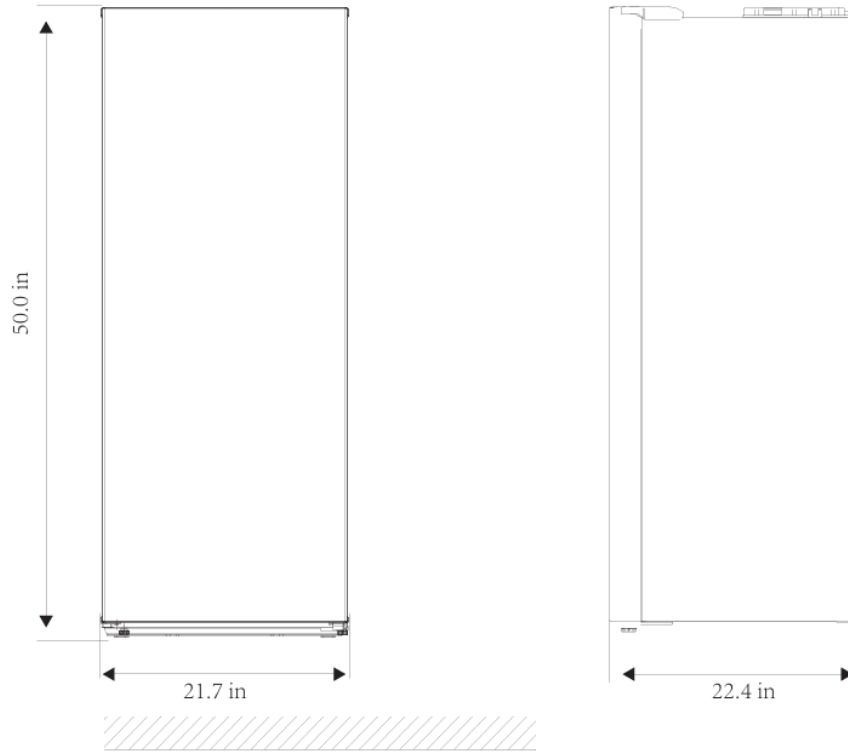
Capacity

Temperature Range	Fridge: 34-50 F Freezer: -11-10 F
Ambient Temperature Range	0-110 F
Individual Shelf Capacity	66 lbs.
Net Cubic Feet	7.1
Gross Cubic Feet	7.1

Features & Materials

Interior Lights	No
Noise	40 db
Door Ajar Alarm	No
Exterior Material	Metal PCM
Interior Material	Metal
Interior Color	White
Legs Adjustable	2
Casters	2
Convertible	Yes
Reversible Door	Yes
Handle Type	Recessed
Shelves Adjustable	Yes
Shelf Material Type	Glass
Number Of Shelves	7
Hinge Location	Top and Bottom of Right Side
Reversible Door(s)	Yes
Door Style	Swing
Number Of Doors	1
Control Type	Mechanical
Horsepower	0.18
Refrigerant Type	R-600a
Defrost Type	Manual
Garage Ready	Yes
ADA Compliant	Yes

Plan View



CERTIFICATIONS



718-576-6342
info@koolmore.com