



SPEC SHEET

KoolMore 48 in. Kitchen Wall Cabinet with Hinged Doors and 2 shelves in Stainless-Steel

Model: KM-WMC-1548-S

FEATURES

- Secure Locking Doors: Protects valuables in busy settings.
- Durable Construction: 20-gauge 304 stainless steel resists corrosion and wear.
- Slanted Roof: Reduces dust buildup and simplifies cleaning.
- Ample Storage: Two shelves, each holding 214.5 lbs., for versatile use.
- Wall Mounting: Space-saving design with secure bracket included.
- Smooth Hinged Doors: Easy, reliable access with secure closure.
- Ventilation Slits: Ensures airflow to prevent moisture buildup.
- Easy to Clean: Smooth stainless steel for quick sanitizing.
- Robust Brackets: Sturdy mounting for stability when loaded.
- NSF Certified & Warranty: Meets safety standards with a 1-year parts/labor warranty.



CLOSE UP IMAGES



TECHNICAL SPECS

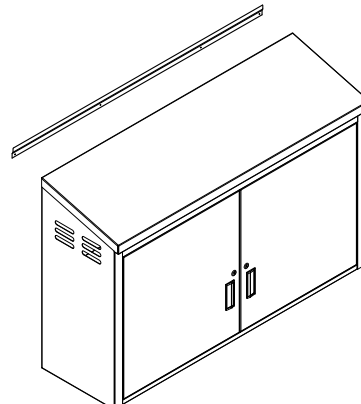
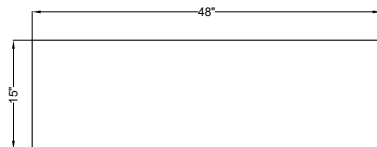
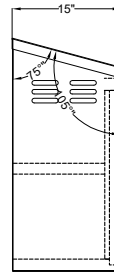
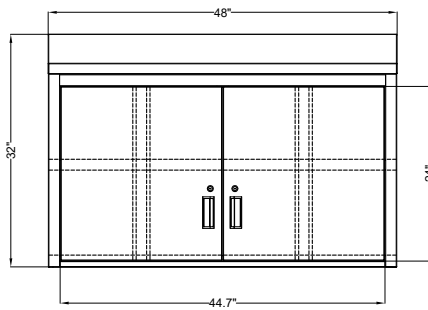
Dimensions

| | |
|---------------------------------|-------|
| Length | 48 |
| Width | 15 |
| Height | 33 |
| Depth Excluding Handles | 13.56 |
| Depth Including Handles | 14.4 |
| Depth Less Door | 13.4 |
| Depth With Door Open 90 Degrees | 23.8 |

Features & Materials

| | |
|---------------------------|------------------------------|
| Weightlbs | 64.3 |
| Hinge Location | Towards Top and Bottom |
| Number Of Shelves | 2 |
| Individual Shelf Capacity | 214.5 lb |
| Exterior Material | Stainless-Steel 304 |
| Gauge Of Stainless Steel | 20 |
| Mounting Bracket Type | Wall Mounted, Included |
| Door Style | Swing |
| Safety Lock | Yes |
| Vent Type | Slits in Cabinet |
| Color | Brushed Stainless-Steel |
| Certifications | NSF Certified for Sanitation |

Plan View



CERTIFICATIONS



706 Eastern Parkway STE 1G, Brooklyn NY 11213
718-576-6342
info@koolmore.com