



SPEC SHEET

KoolMore Four-Shelf Commercial Take Out Warmer Cabinet with Touch Screen in Stainless-Steel.

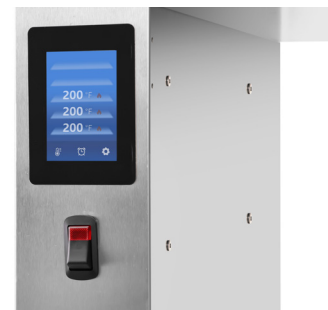
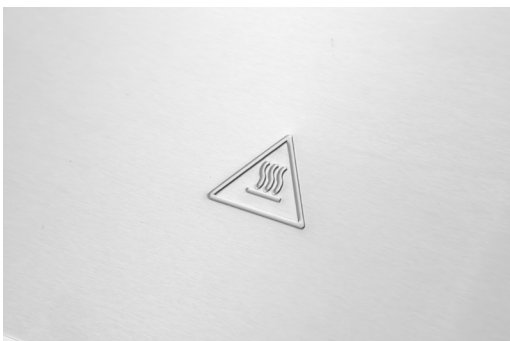
SKU: KM-WSC-T4

FEATURES

- Marine Edge Protection: Prevents food slippage and reduces spills.
- Optimized for Take-Out and Delivery: Keeps food at optimal temperature for delivery.
- Independent Temperature Control: Customize temperature settings for different foods.
- User-Friendly Touchscreen Control: Easy-to-use digital touchscreen for precise temperature management.
- Durable Stainless-Steel Construction: Made from high-quality 18-gauge stainless steel for durability and easy cleaning.
- High Shelf Capacity: Each shelf holds up to 55 lbs. of food.
- Quadruple Shelf Design: Four shelves provide ample space for multiple dishes.
- Adjustable Legs: Ensures stability and fits into various kitchen layouts.
- Freestanding Design: Can be placed anywhere in the kitchen for flexible use.
- UL and NSF Certified: Meets high safety and sanitation standards.
- 1-Year Manufacturer's Warranty: Covers parts and labor for 1 year.



CLOSE UP IMAGES



TECHNICAL SPECS

Dimensions

Length	43
Width	20
Height	50
Weight Lbs	200
Shelf Depth	20
Shelf Width	39
Power Cord Length	70.9

Capacity

Number Of Shelves	4
Individual Shelf Capacity	55 lbs.

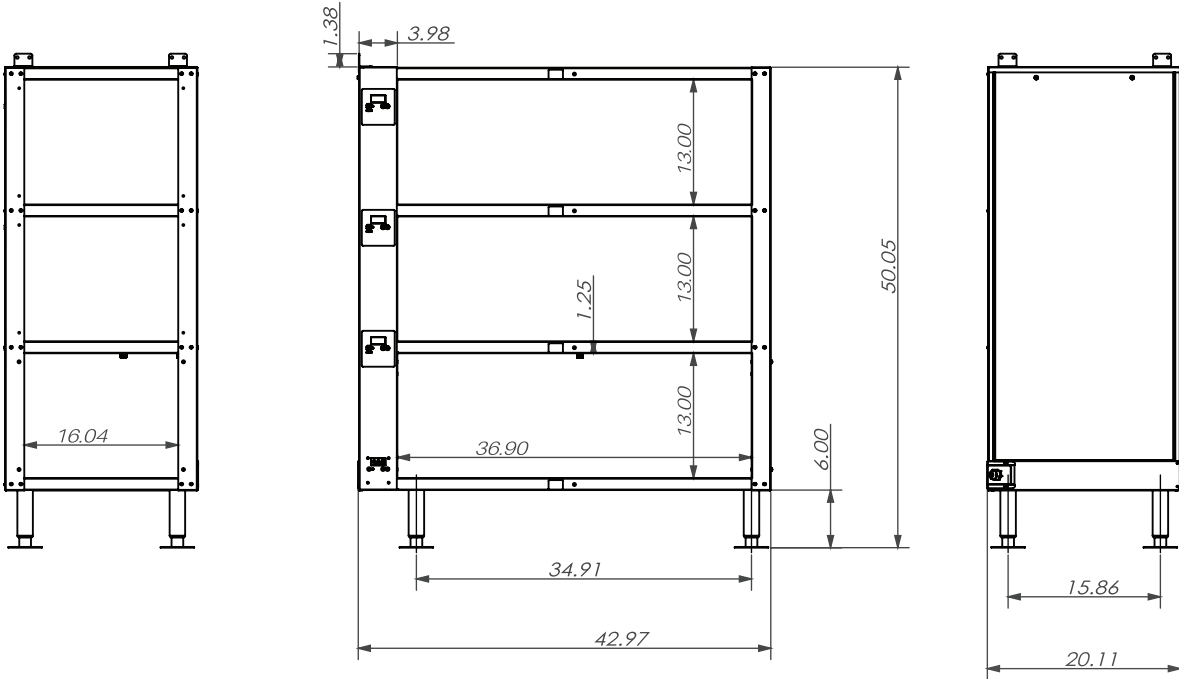
Features & Material

Temperature Range	80-200 F
Control Type	Digital
Color Finish	Stainless-Steel
Number Of Warming Sections	4
Warming Time After Unplugging Min	20
Exterior Material	Stainless-Steel 430
Gauge Of Stainless Steel	18

Electric Data & Certifications

Amps	15
Hertz	60
Phase	1
Voltage	120
Wattage	1400
Plug Type	NEMA 5-15P
Certifications	UL listed for safety and NSF for Sanitation

Plan View



CERTIFICATIONS



706 Eastern Parkway STE 1G, Brooklyn NY 11213
718-576-6342
info@koolmore.com